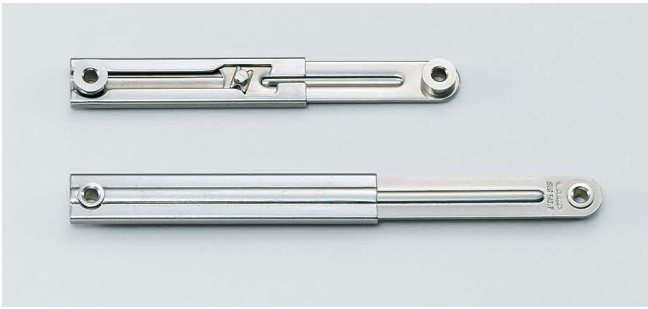




LAMP. ULTRA MINI LID STAY L-100S, L-140S



Opening Direction	Features	Door Material	Compression Load	Qty
	OPEN Holds When Fully Opened	Wood	58.8 N/pc	1 Pc Per Door

- Door flap locks in opened position. To release, push door flap into fully opened position.
- When closed, the extendible section of the arm is stored inside the body, allowing the cabinet interior to be used effectively.
- Small, compact profile can be installed in narrow spaces
- Can be used with smaller door flaps including those used on smaller pieces of equipment.

SELECTION GUIDE

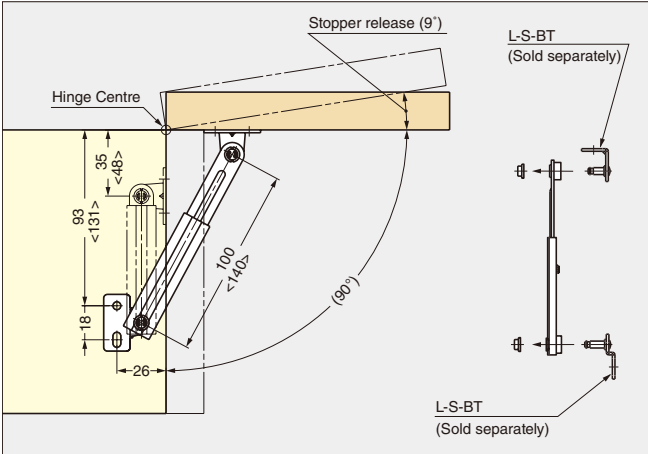
DAMPER STAYS

TORQUE STAYS

LIFT-ASSIST STAYS

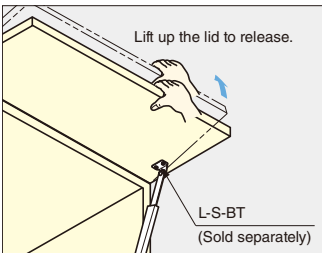
LID STAYS

Installation

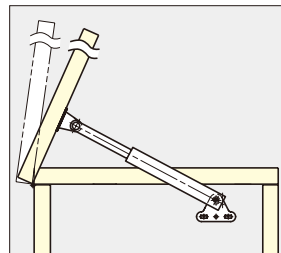


< : L-140S

Stopper Release



Use on Top-opening Lids



Maximum angle of top-opening lids must be less than 90 degrees.

TOP-OPENING

UPWARD-OPENING

DOWNWARD-OPENING

BOTTOM-OPENING

LIFT-UP

LIFT-DOWN

UP & OVER

BIFOLDING

INSET RECEDING

OVER THE TOP

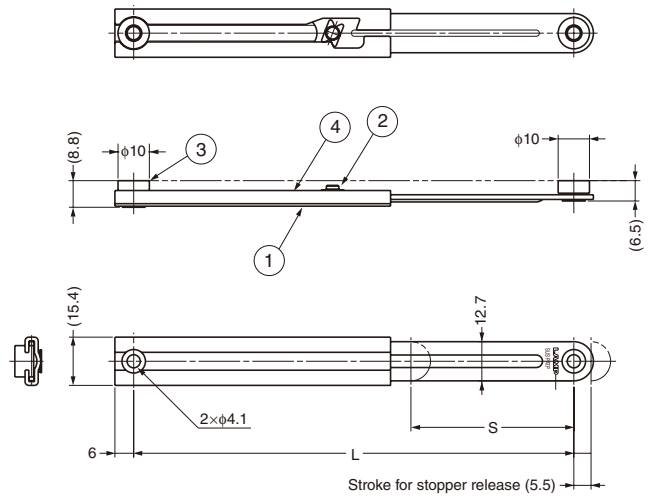
SWING DOOR

Item Code	Item Name	Compression Load	L	S	Weight	Box	Carton	
180-109-118	L-100S	58.8 N/pc	6 kgf/pc	100	32	31 g	30 pcs	300 pcs
180-100-105	L-140S	58.8 N/pc	6 kgf/pc	140	52	38 g	30 pcs	300 pcs

TEST METHOD 16 SUS

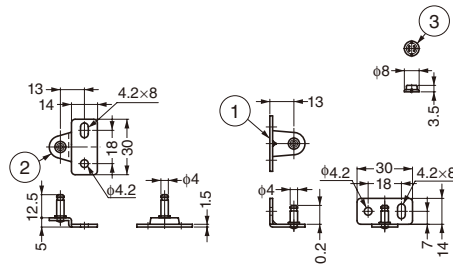
Sold Separately

- Mounting bracket L-S-BT (below)



No.	Part Name	Material	Finish
①	Body	Stainless Steel (SUS304)	Polished
②	Washer	Polyamide (PA)	-
③	Case Bracket	Stainless Steel (SUS304)	-
④	Roter	Stainless Steel (SUS304)	Barrel Polished

LAMP. MOUNTING BRACKET L-S-BT



- Optional brackets for L-100S and L-140S stays (above).
- Brackets for arm and case sold as set.

Remarks

- Do not re-use the bracket. Plastic bushing may become loose once taken off from stay.

No.	Part Name	Material	Finish/Colour
①	Arm Bracket	Stainless Steel (SUS304)	Polished
②	Case Bracket	Stainless Steel (SUS304)	Polished
③	Cap	Polyacetal (POM)	White

Item Code	Item Name	Weight	Box	Carton
180-100-620	L-S-BT	17 g	40 sets	400 sets