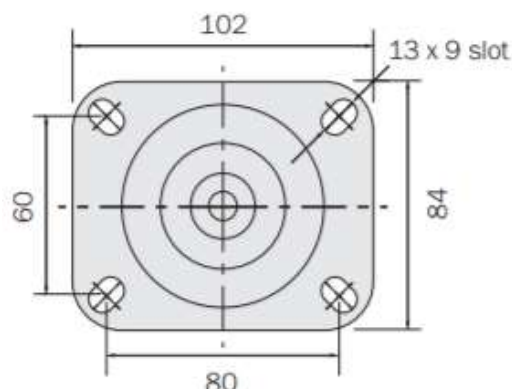


## M Series Castor Wheels – Plate Mount

- Up to 150kg load rating per castor
- Zinc plated steel mounting frame
- 4 different mounting frame types
- 4 different wheel types with non-marking tread
- 75mm, 100mm, 125mm & 150mm wheel diameter sizes
- Total locking or directional locking brake options
- Common Uses: Food preparation areas, Light factory equipment, Hospital equipment, Warehouse trolleys, Shop fitting, Cabinet making



### BPB

- » Resilient blue rubber tread
- » Polypropylene centre
- » Precision bearings



### NNI

- » Virgin nylon 6 tread
- » Nylon centre
- » Plain bore and POM bushing



### TPB

- » Thermoplastic elastomer tread
- » Polypropylene centre
- » Precision bearings



### UPB

- » Polyurethane tread
- » Polypropylene centre
- » Precision bearings



## MOUNTING TYPE

WHEEL DIAMETER (mm)	MOUNTING TYPE	FRAME CODE	WHEEL ABR	MAX LOAD (KG)	WHEEL ABR	MAX LOAD (KG)	WHEEL ABR	MAX LOAD (KG)	WHEEL ABR	MAX LOAD (KG)	OVERALL HEIGHT (mm)	SWIVEL RADIUS (mm)
75		MZR07532	-BPB	80	-NNI	130	-TPB	80	-UPB	80	115	N/A
100		MZR10032	-BPB	100	-NNI	140	-TPB	100	-UPB	100	139	
125		MZR12532	-BPB	110	-NNI	150	-TPB	110	-UPB	110	162	
150		MZR15032	N/A	N/A	N/A	N/A	-TPB	125	-UPB	125	187	
75		MZS07532	-BPB	80	-NNI	130	-TPB	80	-UPB	80	115	72
100		MZS10032	-BPB	100	-NNI	140	-TPB	100	-UPB	100	139	78
125		MZS12532	-BPB	110	-NNI	150	-TPB	110	-UPB	110	162	96
150		MZS15032	N/A	N/A	N/A	N/A	-TPB	125	-UPB	125	187	127
75		MZST07532	-BPB	80	-NNI	130	-TPB	80	-UPB	80	115	114
100		MZST10032	-BPB	100	-NNI	140	-TPB	100	-UPB	100	139	
125		MZST12532	-BPB	110	-NNI	150	-TPB	110	-UPB	110	162	135
150		MZST15032	N/A	N/A	N/A	N/A	-TPB	125	-UPB	125	187	
75		MZSD07532	-BPB	80	-NNI	130	-TPB	80	-UPB	80	115	114
100		MZSD10032	-BPB	100	-NNI	140	-TPB	100	-UPB	100	139	
125		MZSD12532	-BPB	110	-NNI	150	-TPB	110	-UPB	110	162	135
150		MZSD15032	N/A	N/A	N/A	N/A	-TPB	125	-UPB	125	187	

## WHEELS

WHEEL DIAMETER (mm)	TREAD WIDTH (mm)	WHEEL CODE	MAX LOAD (KG)	BORE DIAMETER (no spacer mm)	BORE DIAMETER (spacer mm)	HUB LENGTH (mm)	TREAD MATERIAL	CENTRE MATERIAL	BEARING TYPE	AXLE SPACER TYPE
75	32	BPO7532B	80	8	-	38	BLUE HI RES	PP	PRECISION BEARINGS	
100		BP10032B	100							
125		BP12532B	110							
75	32	NN07532I	130	15	8	38	NYLON	NYLON	PLAIN BORE	
100		NN10032I	140							
125		NN12532I	150							
75	32	TP07532B	80	8	-	38	THERMOPLASTIC ELASTOMER	PP	PRECISION BEARINGS	-
100		TP10032B	100							
125		TP12532B	110							
150		TP15032B	150							
75	32	UP07532B	80	8	-	38	URETHANE	PP	PRECISION BEARINGS	-
100		UP10032B	100							
125		UP12532B	110							
150		UP15032B	125							