

M Series Castor Wheels – Heat Resistant

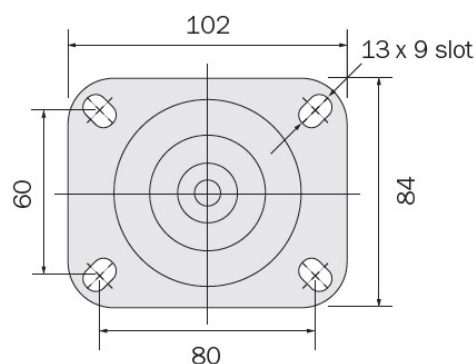
- Zinc plated and 304 grade stainless steel frame options available
- Choice of high temp phenolic, rubber, and ditherm wheels
- Rigid, swivel and swivel + brake frame options available
- 260°C Continuous | 300°C Intermittent
- All castors supplied with high-temperature grease
- Common uses: Autoclave trolleys, Bakery oven & proving racks, Hospital waste disposal trolleys, Smokehouse trolleys, Powder coating trolley



RIGID



SWIVEL



EEB

- » Solid high temperature compression molded epoxy resin
- » Quad Plus Bearings
- » MAX 260°C - Continuous
- » MAX 290°C - Intermittent



RXT

- » White elastic high temperature rubber
- » Temperature - 40 to 300°C - Continuous
- » 120kg capacity



MTT




- » Solid high temperature ditherm compound
- » Inserted self lubricating bushes & spacer
- » MAX 280°C - Continuous
- » MAX 300°C - Intermittent



RHT

- » Black elastic high temperature rubber
- » MAX 260°C - Continuous
- » Resists thermal shock from -40°C to 300°C deg in 60 seconds
- » 120kg capacity

MOUNTING TYPE

WHEEL DIAMETER (mm)	MOUNTING TYPE	FRAME MATERIAL	FRAME CODE	WHEEL ABR	MAX LOAD (KG)	WHEEL ABR	MAX LOAD (KG)	WHEEL ABR	MAX LOAD (KG)	WHEEL ABR	MAX LOAD (KG)	OVERALL HEIGHT (mm)	SWIVEL RADIUS (mm)
100		ZINC COATED STEEL	MZR10040H	-EEB	150	-	-	-	-	-	-	130	-
		ZINC COATED STEEL	MZR10040H	-EEB	150	-	-	-	-	-	-	130	88
		STAINLESS STEEL	MPSR10035	-	-	-RXT	120	-RHT	120	-MTT	160	128	-
		ZINC PLATED	MPZR10035	-	-	-RXT	120	-RHT	120	-MTT	160	128	-
100		ZINC COATED STEEL	MZS10040	-EEB	150	-	-	-	-	-	-	130	88
		ZINC PLATED	MPZS10035	-	-	-RXT	120	-RHT	120	-MTT	160	128	92
		STAINLESS STEEL	MPSS10035	-	-	-RXT	120	-RHT	120	-MTT	160	128	92

WHEELS

WHEEL DIAMETER (mm)	TREAD WIDTH (mm)	WHEEL CODE	MAX LOAD (KG)	BORE DIAMETER (no spacer mm)	BORE DIAMETER (spacer mm)	HUB LENGTH (mm)	TREAD MATERIAL	CENTRE MATERIAL	BEARING TYPE	AXLE SPACER TYPE
100	35	MTW10035T	160	10	8	45	HI TEMP DITHERM		PLAIN BORE	STAINLESS SLEEVE
100	35	RXT10035T	120	10		45	HI TEMP RUBBER	DITHERM COMPOUD	HT PLAIN BORE	STAINLESS SLEEVE
100	35	RHT10035T	120	10		45	HI TEMP RUBBER	DITHERM COMPOUD	HT PLAIN BORE	STAINLESS SLEEVE
100	40	EE10040B	150	8		45	HI TEMP EPOXY PHENOLIC		QUAD-PLUS	NILL