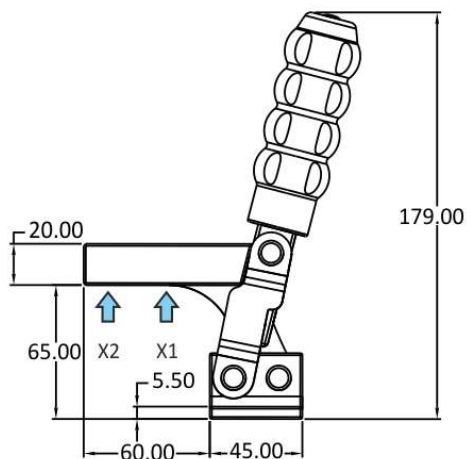
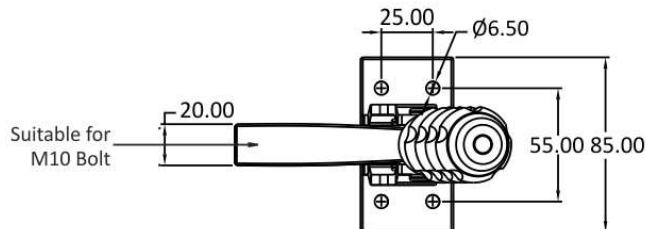


Heavy Duty Vertical Hold Down Action Clamp VTC-6561 A



FEATURES:

- Vertical Hold Down Action - Heavy Duty Flanged Base
- Weight: 1.000 kgs
- Handle Moves: 135°
- Bar Opens: 80°
- Holding Capacity: X1: 4.90 kN X2: 3.40 kN
- Supplied with suitable spindle