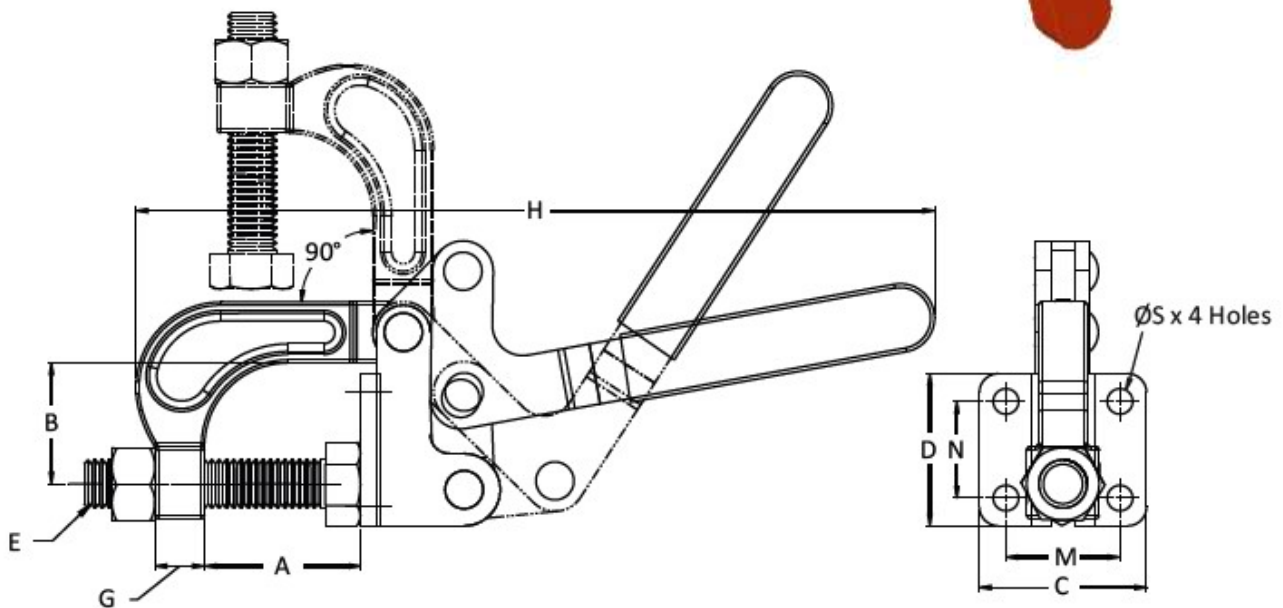




## **Pull Back Action Clamp GH-80379**

Also Available  
in Stainless Steel  
GH – 80379 - SS



A	B	Mounting Base		E	G	H	M	N	S	Holding Capacity	Wt. in Kgs
		C	D								
41	32	44	40	M 12	13	210	30	25.4	6.70	3.90 kN	0.640



**Concept  
Latch Lock & Hinge**

[www.conceptlatch.com.au](http://www.conceptlatch.com.au)  
[sales@conceptlatch.com.au](mailto:sales@conceptlatch.com.au)  
03 9388 2551