

Horizontal Hold Down Action Clamp H - 213, 217 Series

FEATURES:

- Base: Flanged or straight
- Arm Type: Adjustable Arm
- Available in a range of sizes, please see below
- Also available in stainless steel



Model No. H-213-U



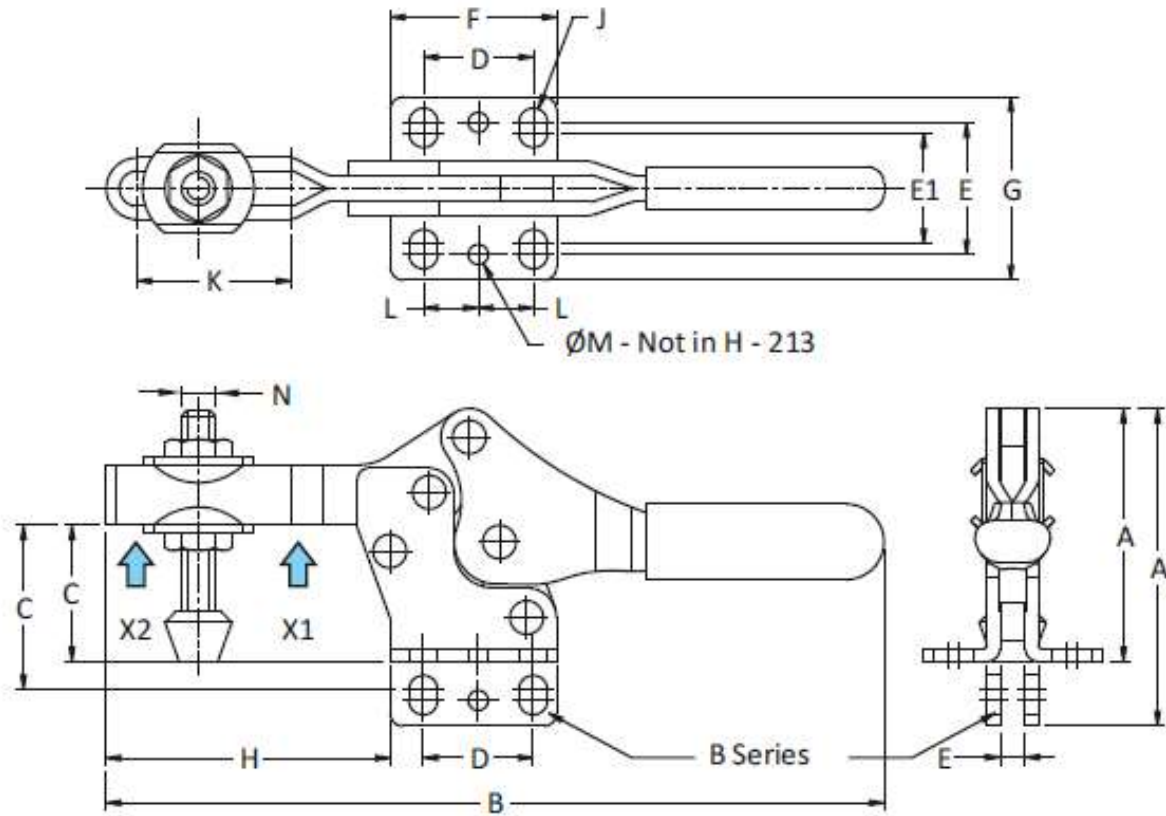
Model No. H-217-UB

Model No.	Arm Type	Base Type
H-213-U	Adjustable Arm	Flanged
H-213-UB	Adjustable Arm	Straight
H-217-U	Adjustable Arm	Flanged
H-217-UB	Adjustable Arm	Straight

Also Available in Stainless Steel
H-213-U-SS
H-213-UB-SS
H-217-U-SS
H-217-UB-SS



Model No. H-217-U



Model No.	Holding Capacity		Weight Kgs	Handle Moves	Bar Opens	Dimensions												
	X2	X1				A	B	C	D	E	E1	F	G	H	J	K	M	N
H-213-U	0.30 kN	0.70 kN	0.070	60°	90°	36.0	109.0	19.5	13.5	19.0	17.6	25.5	28.0	35.5	4.3 x 5.0	24.0	-	M5 Bolt
H-213-UB	0.30 kN	0.70 kN	0.070	60°	90°	44.7	109.0	27.0	13.5	4.0	-	25.5	-	35.5	4.3 x 5.0	24.0	-	M5 Bolt
H-217-U	0.36 kN	1.00 kN	0.190	76°	92°	52.0	166.0	27.0	26.2	29.5	23.7	37.6	41.1	63.0	5.5 x 8.5	42.0	4.7	M6 Bolt
H-217-UB	0.36 kN	1.00 kN	0.190	76°	92°	63.5	166.0	34.0	26.2	6.0	-	37.6	-	63.0	5.5 x 8.5	42.0	4.7	M6 Bolt