

Horizontal Hold Down Action Clamp H - 305, 307, 309 Series International Range

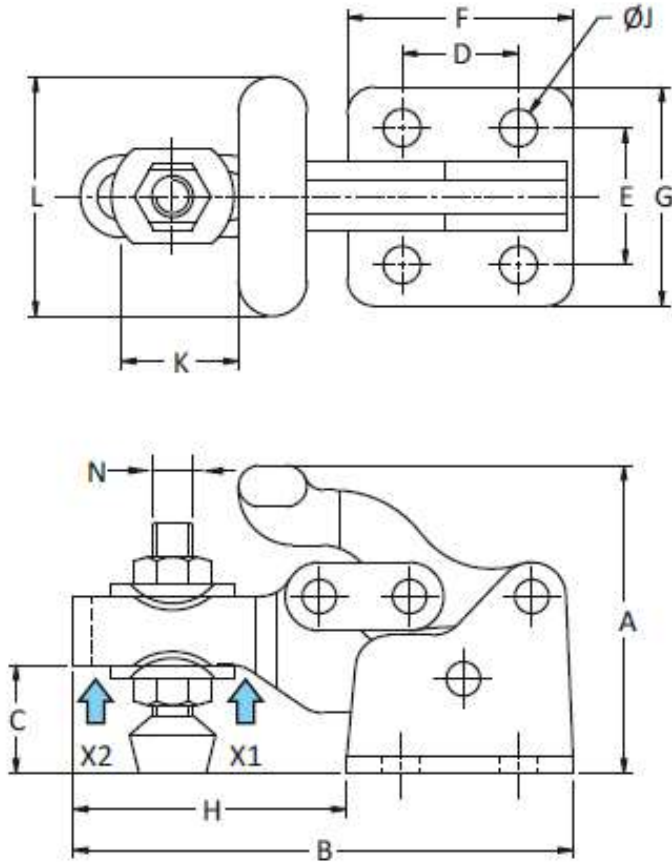
The international equivalent range of toggle clamps from Steel-Smith. Now all the leading international toggle clamps have their equivalents in this range. What's more, these quality clamps come with hardened bushes for enhanced life, several safety features and a slicker finish. New improved design includes increased distance between the handle and the clamping arm. This ensures maximum safety during the clamp's fully open position.



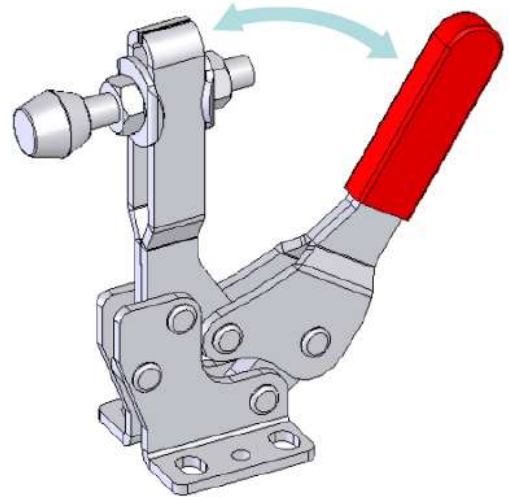
Model No. H-305-U



Model No. H-307-U



Extra distance for safety



Also Available
in Stainless Steel
H-305-U-SS
H-307-U-SS
H-309-U-SS

Model No.	Holding Capacity		Weight Kgs	Handle Moves	Bar Opens	Dimensions											
	X2	X1				A	B	C	D	E	F	G	H	J	K	L	N
H-305-U	0.20 kN	0.50 kN	0.070	175°	92°	38.0	59.0	13.5	13.5	16.0	26.1	25.4	30.0	4.5	8.0	32.0	M5 Bolt
H-307-U	1.10 kN	1.40 kN	0.250	175°	92°	62.0	93.0	23.5	23.0	29.4	43.6	46.6	46.0	7.0	17.0	51.0	M8 Bolt
H-309-U	2.30 kN	3.40 kN	0.600	160°	88°	91.2	131.8	33.3	35.1	38.1	64.0	62.7	67.6	8.4	26.9	78.0	M10 Bolt