

## Vertical Hold Down Action Clamp VTC - 202 Series

### FEATURES:

- Vertical Hold Down Action
- Arm: Adjustable Arm or Spindle Fixed
- Handle Moves: 64°
- Bar Opens: 104°
- Holding Capacity: X1: 1.00 kN      X2: 0.62 kN
- Also Available in Stainless Steel



Model No. VTC-202-UB



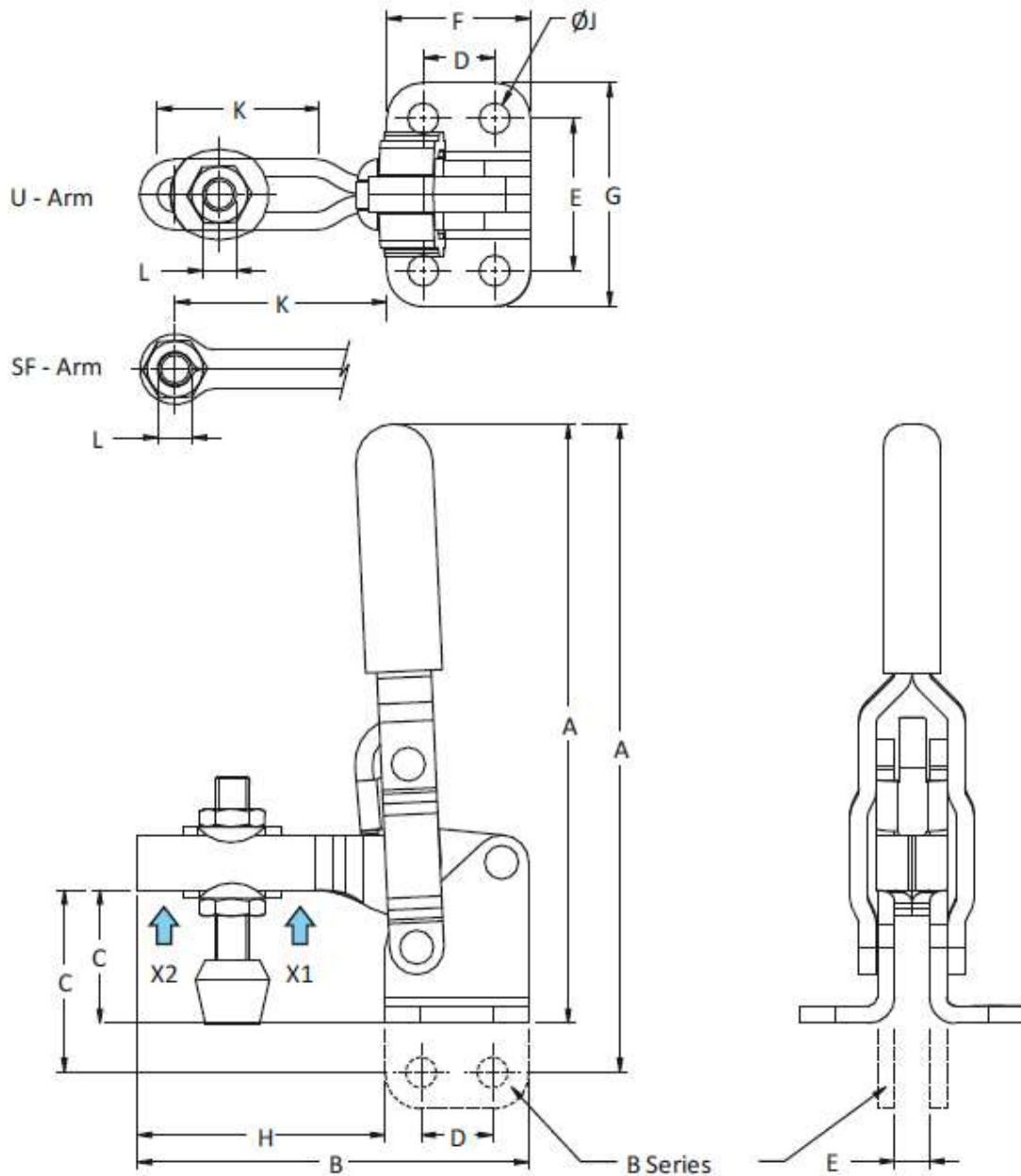
Model No. VTC-202-U

Model No.	Arm Type	Base Type
VTC-202-SF	Spindle Fixed	Flanged
VTC-202-SFB	Spindle Fixed	Straight
VTC-202-U	Adjustable Arm	Flanged
VTC-202-UB	Adjustable Arm	Straight
VTC-202-UL	Adjustable Arm	Flanged

Also Available  
in Stainless Steel  
VTC-202-U-SS  
VTC-202-UB-SS



# Concept Latch Lock & Hinge



Model No.	Holding Capacity		Weight Kgs	Handle Moves	Bar Opens	Dimensions										
	X2	X1				A	B	C	D	E	F	G	H	J	K	L
VTC-202-SF	0.62 kN	1.00 kN	0.150	64°	104°	106.0	62.6	24.0	12.7	26.9	25.5	39.3	33.3	5.5	26.5	M6 Bolt
VTC-202-SFB	0.62 kN	1.00 kN	0.150	64°	104°	115.0	62.6	28.3	12.7	6.0	25.5	-	33.3	5.5	26.5	M6 Bolt
VTC-202-U	0.62 kN	1.00 kN	0.160	64°	104°	106.0	75.2	23.9	12.7	26.9	25.5	39.3	45.8	5.5	25.4	M6 Bolt
VTC-202-UB	0.62 kN	1.00 kN	0.160	64°	104°	115.0	75.2	28.3	12.7	6.0	25.5	-	45.8	5.5	25.4	M6 Bolt
VTC-202-UL	0.62 kN	1.00 kN	0.160	64°	104°	106.0	86.0	23.9	12.7	26.9	25.5	39.3	60.5	5.5	40.0	M6 Bolt

[www.conceptlatch.com.au](http://www.conceptlatch.com.au)  
[sales@conceptlatch.com.au](mailto:sales@conceptlatch.com.au)  
 03 9388 2551