

## Vertical Hold Down Action Clamp VTC - 207 Series

### FEATURES:

- Vertical Hold Down Action
- Arm: Adjustable Arm or Solid Arm
- Handle Moves: 62°
- Bar Opens: 115°
- Also Available in Stainless Steel

Also Available  
in Stainless Steel  
VTC-207-U-SS  
VTC-207-UB-SS



Model No. VTC-207-U



Model No. VTC-207-UB

Model No.	Arm Type	Base Type
VTC-207-L	Solid Arm	Flanged
VTC-207-LB	Solid Arm	Straight
VTC-207-S	Solid Arm	Flanged
VTC-207-SB	Solid Arm	Straight
VTC-207-U	Adjustable Arm	Flanged
VTC-207-UB	Adjustable Arm	Straight
VTC-207-UL	Adjustable Arm	Flanged
VTC-207-ULB	Adjustable Arm	Straight



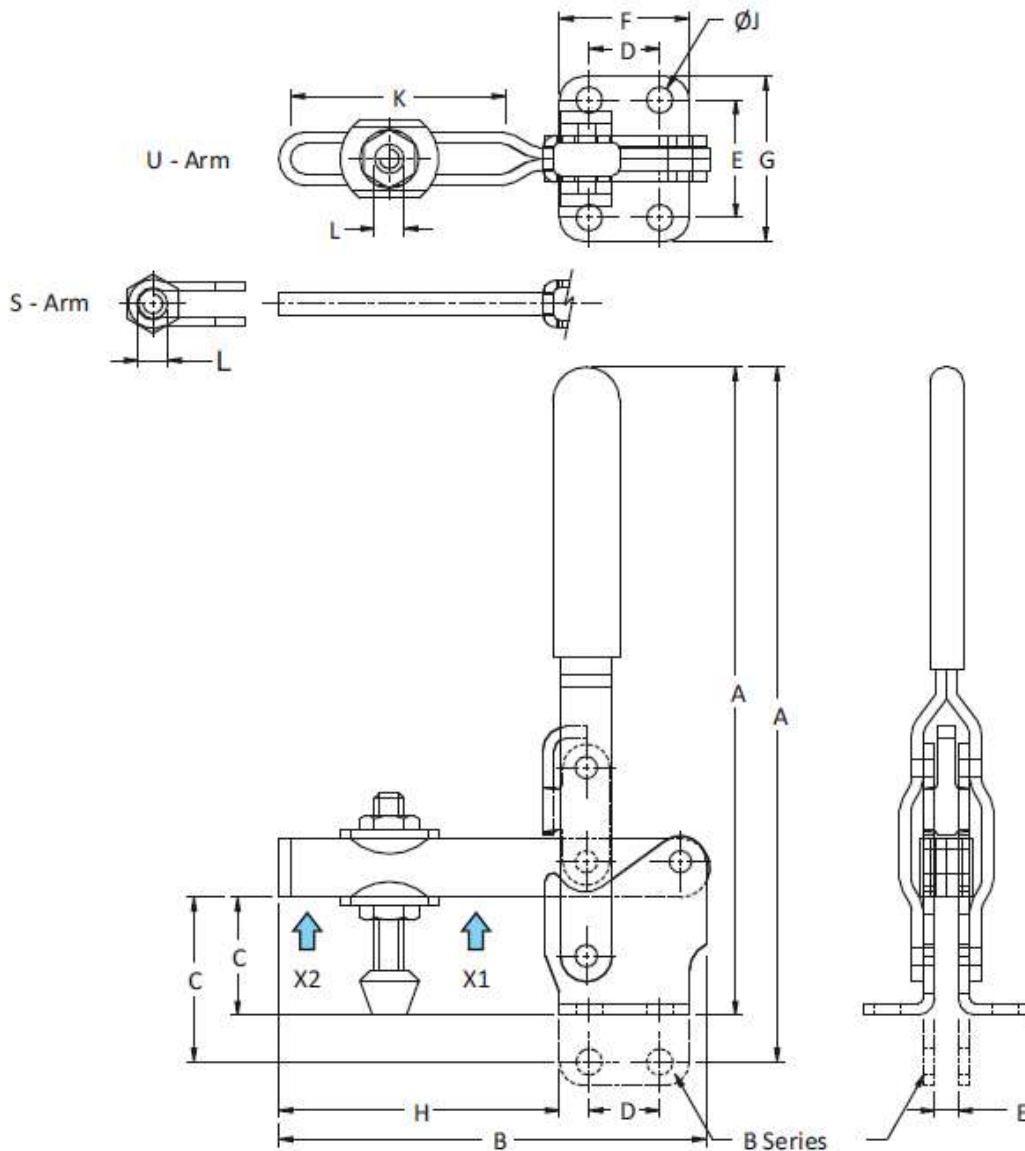
Model No. VTC-207-S



Model No. VTC-207-SB



# Concept Latch Lock & Hinge



Model No.	Holding Capacity		Weight Kgs	Handle Moves	Bar Opens	Dimensions										
	X2	X1				A	B	C	D	E	F	G	H	J	K	L
VTC-207-L	1.00 kN	2.00 kN	0.340	62°	115°	174.0	130.0	31.0	19.1	31.8	35.1	44.6	86.5	7.1	-	M8 Bolt
VTC-207-LB	1.00 kN	2.00 kN	0.340	62°	115°	189.0	130.0	40.0	19.1	6.0	35.1	-	86.5	7.1	-	M8 Bolt
VTC-207-S	1.50 kN	2.10 kN	0.315	62°	115°	174.0	98.0	31.0	19.1	31.8	35.1	44.6	54.5	7.1	-	M8 Bolt
VTC-207-SB	1.50 kN	2.10 kN	0.300	62°	115°	189.0	98.0	40.0	19.1	6.0	35.1	-	54.5	7.1	--	M8 Bolt
VTC-207-U	1.00 kN	1.70 kN	0.300	62°	115°	174.0	100.0	31.0	19.1	31.8	35.1	44.6	57.5	7.1	32.0	M8 Bolt
VTC-207-UB	1.00 kN	1.70 kN	0.300	62°	115°	189.0	100.0	40.0	19.1	6.0	35.1	-	57.5	7.1	32.0	M8 Bolt
VTC-207-UL	0.70 kN	1.50 kN	0.340	62°	115°	174.0	146.5	31.0	19.1	31.8	35.1	44.6	104.0	7.1	78.5	M8 Bolt
VTC-207-ULB	0.70 kN	1.50 kN	0.340	62°	115°	189.0	146.5	40.0	19.1	6.0	35.1	-	104.0	7.1	78.5	M8 Bolt

[www.conceptlatch.com.au](http://www.conceptlatch.com.au)  
[sales@conceptlatch.com.au](mailto:sales@conceptlatch.com.au)  
 03 9388 2551