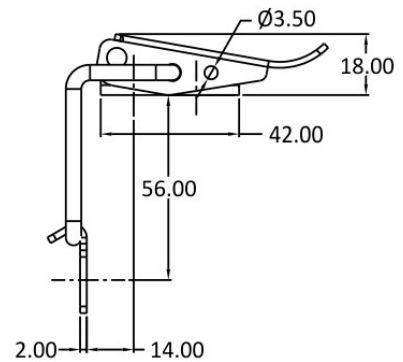
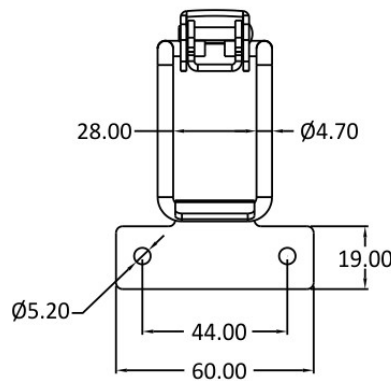
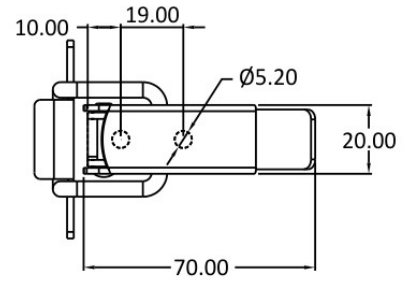




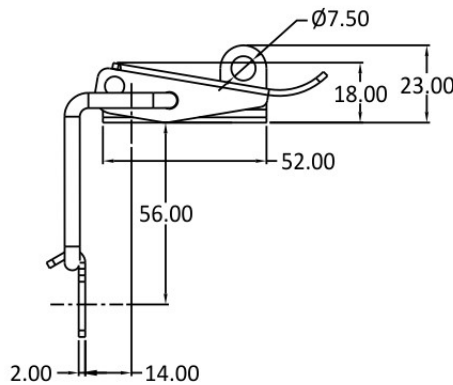
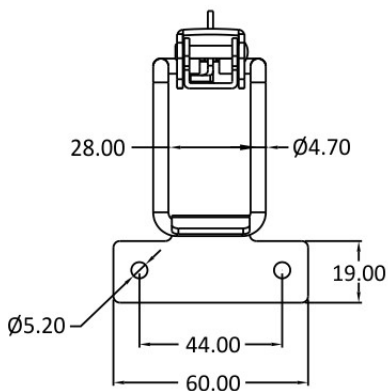
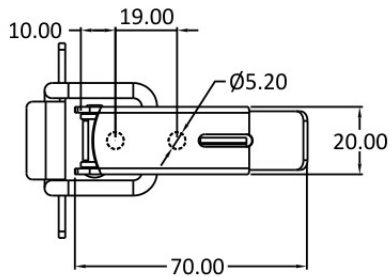
Steel-Smith 90° Latch Clamps

Model No: PAH-20-588
Holding Capacity - 4.40 kN
Weight - 0.085 kgs

Also Available
in Stainless Steel
PAH-20-588-SS



Also Available
in Stainless Steel
PAH-20-590-SS



Model No: PAH-20-590
Holding Capacity - 4.40 kN
Weight - 0.085 kgs