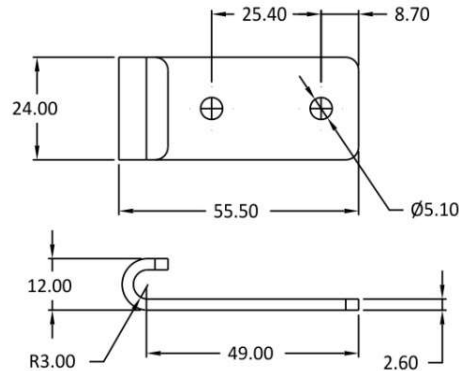


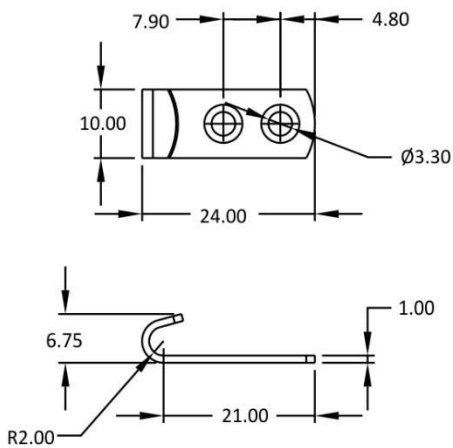
Keepers suitable for the Steel-Smith Latch Clamps



Part Number: 02 502



Suitable for Model Number
PAH-30-502
PAH-30-570
PAH-30-588LP
PAH-30-590
PAH-33-1260
PAH-38-1260-TRIG
PAH-33-5880
PAH-38-5880-TRIG
PAH-20-508
PAH-20-590



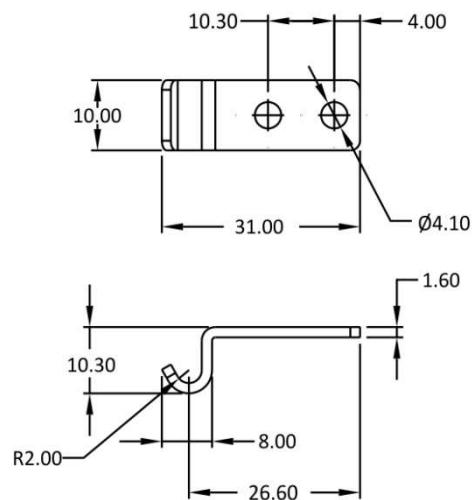
Suitable for Model Number
PAH-0313
PAH -4813
PAH - CT-10103
PAH - CT-10104
PAH - CT-10105



Part Number: 02 531



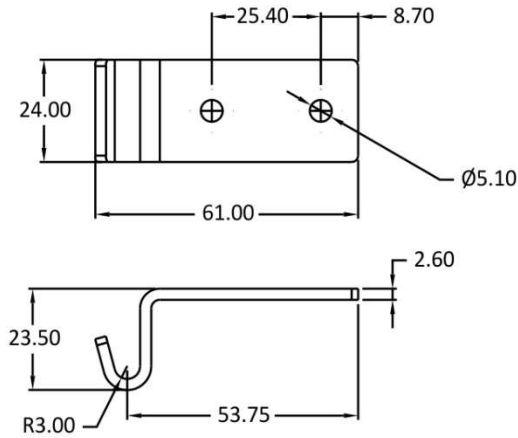
Part Number: 03 613



Suitable for Model Number
PAH-0313
PAH -4813
PAH - CT-10103
PAH - CT-10104
PAH - CT-10105



Concept Latch Lock & Hinge



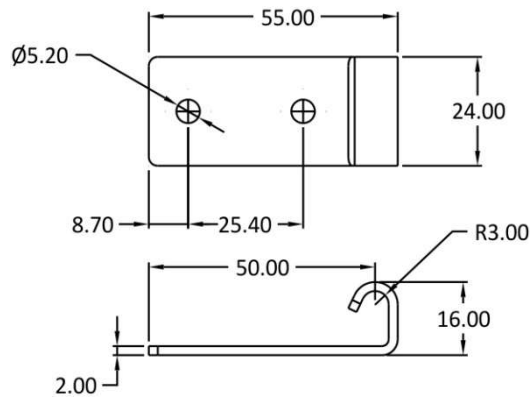
Suitable for Model Number
PAH-30-502
PAH-30-570
PAH-30-588LP
PAH-30-590
PAH-33-1260
PAH-38-1260-TRIG
PAH-33-5880
PAH-38-5880-TRIG
PAH-20-508
PAH-20-590



Part Number: 03 1692



Part Number: 07 613



Suitable for Model Number
PAH-30-502
PAH-30-570
PAH-30-588LP
PAH-30-590
PAH-33-1260
PAH-38-1260-TRIG
PAH-33-5880
PAH-38-5880-TRIG
PAH-20-508
PAH-20-590