



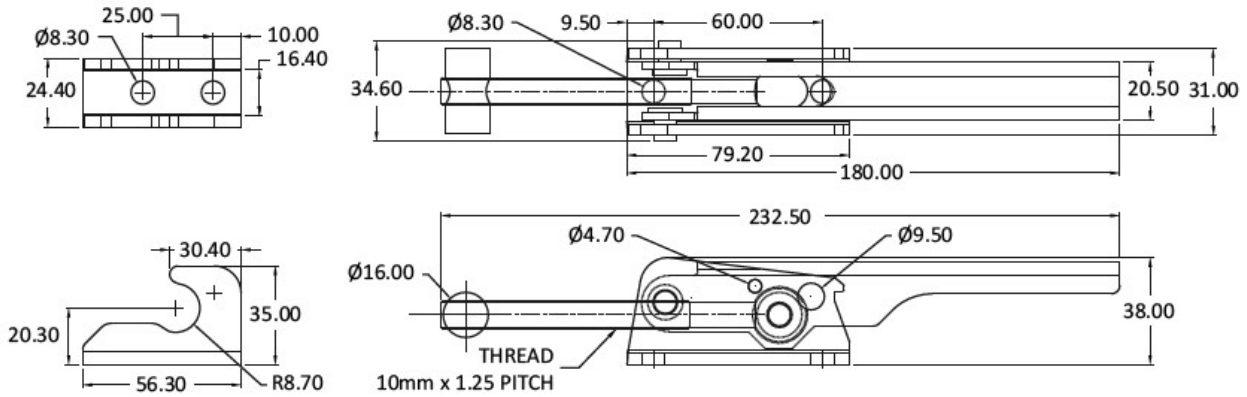
# Steel-Smith Latch Clamps Heavy Duty PAH - 40 Series

**Model No: PAH-43-4000**

Holding Capacity: 19.60 kN

Weight: 0.470 kgs

In Stainless Steel: PAH-43-4000-SS

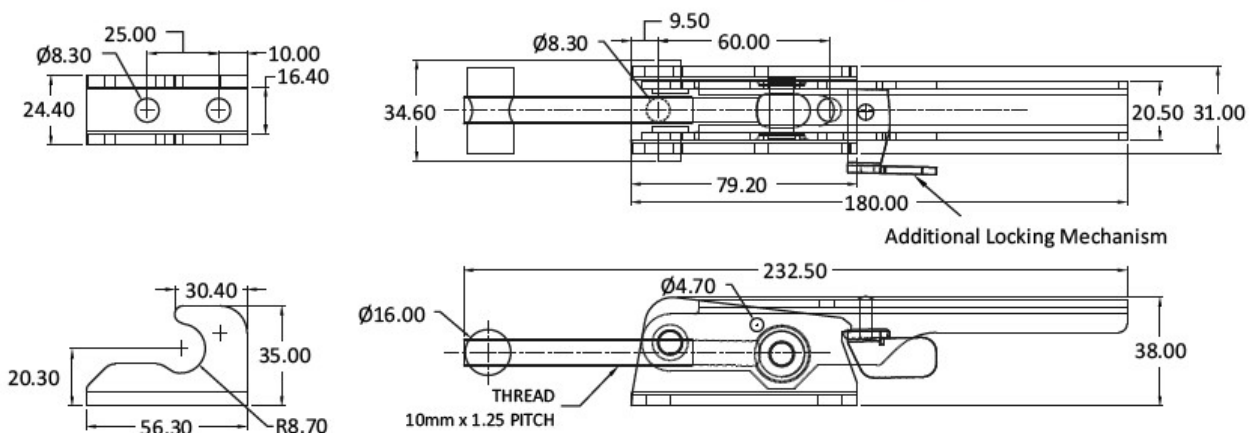
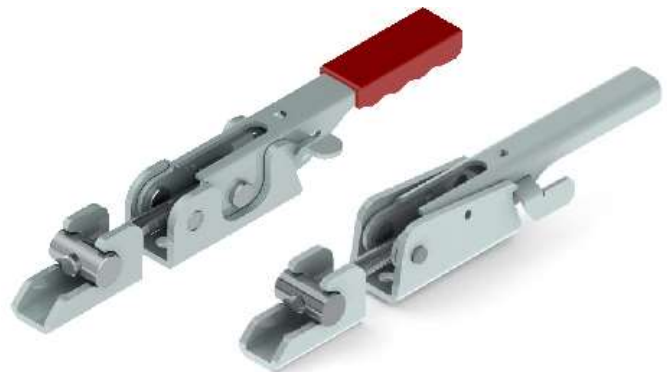


**Model No: PAH-44-4000-TRIG**

Holding Capacity: 19.60 kN

Weight: 0.490 kgs

In Stainless Steel: PAH-44-4000-TRIG-SS



[www.conceptlatch.com.au](http://www.conceptlatch.com.au)

[sales@conceptlatch.com.au](mailto:sales@conceptlatch.com.au)

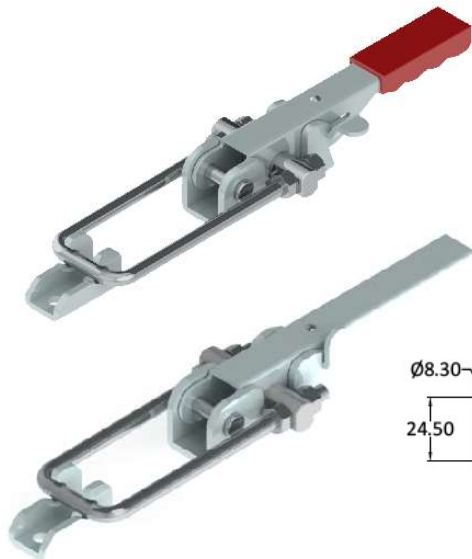
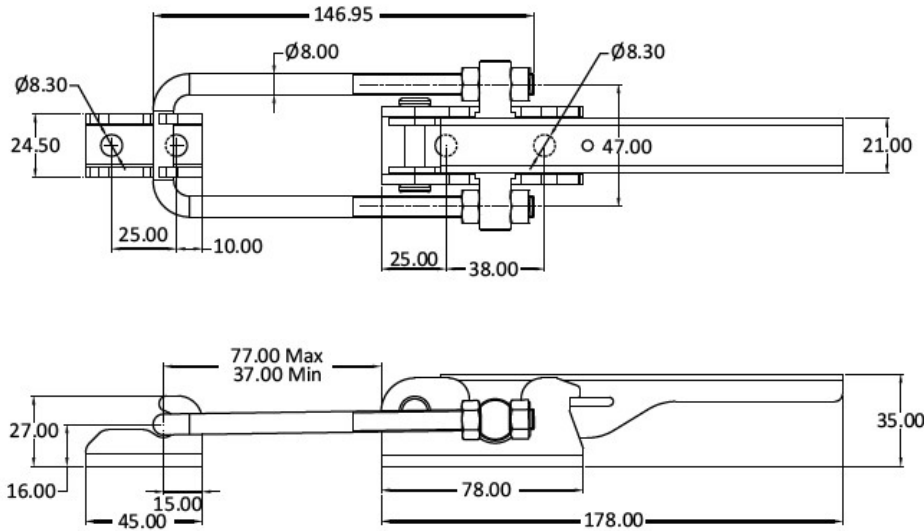
03 9388 2551



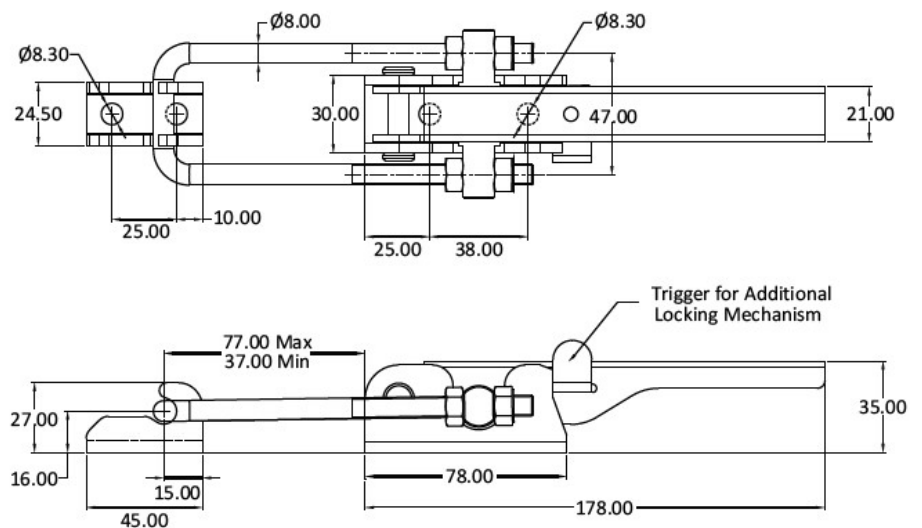
# Concept Latch Lock & Hinge



**Model No: PAH-45-4000**  
Holding Capacity: 19.60 kN  
Weight: 0.500 kgs  
In Stainless Steel: PAH-45-4000-SS



**Model No: PAH-46-4000-TRIG**  
Holding Capacity: 19.60 kN  
Weight: 0.520 kgs  
In Stainless Steel: PAH-46-4000-TRIG-SS



[www.conceptlatch.com.au](http://www.conceptlatch.com.au)  
[sales@conceptlatch.com.au](mailto:sales@conceptlatch.com.au)  
03 9388 2551