

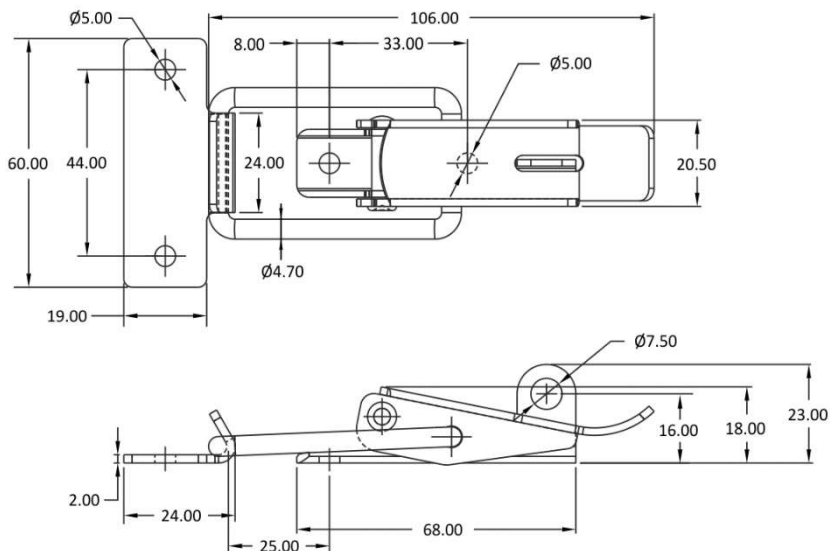
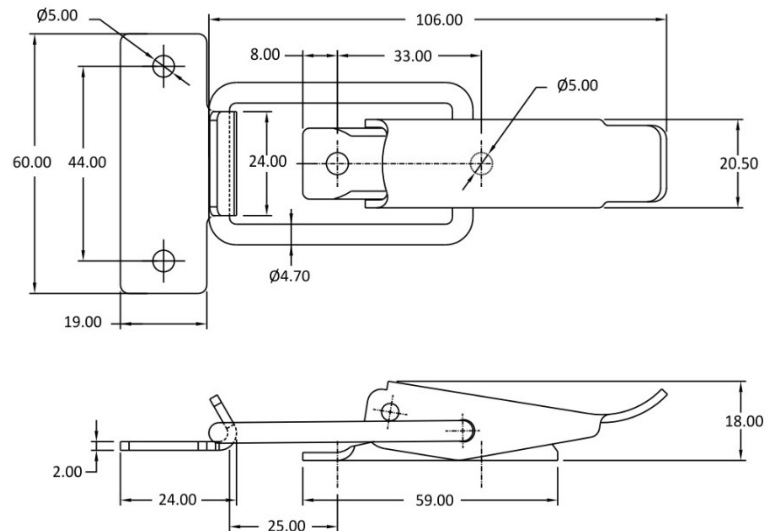
## Steel-Smith Latch Clamps – Heavy Duty PAH-30 Series

**Model No: PAH-30-502**

Holding Capacity - 4.40 kN

Weight - 0.070 kgs

In Stainless Steel: PAH-30-502-SS



**Model No: PAH-30-570**

Holding Capacity - 4.40 kN

Weight - 0.078 kgs

In Stainless Steel: PAH-30-570-SS

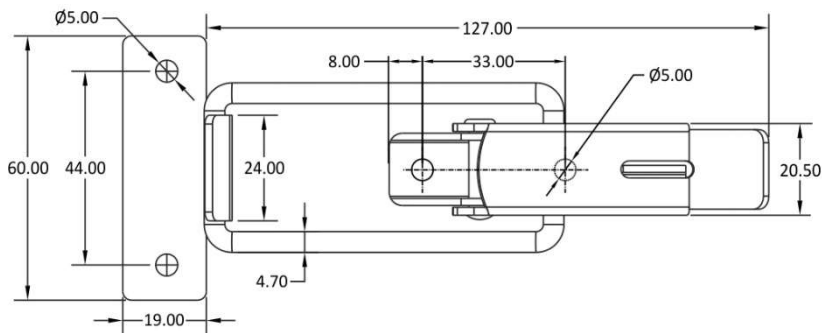
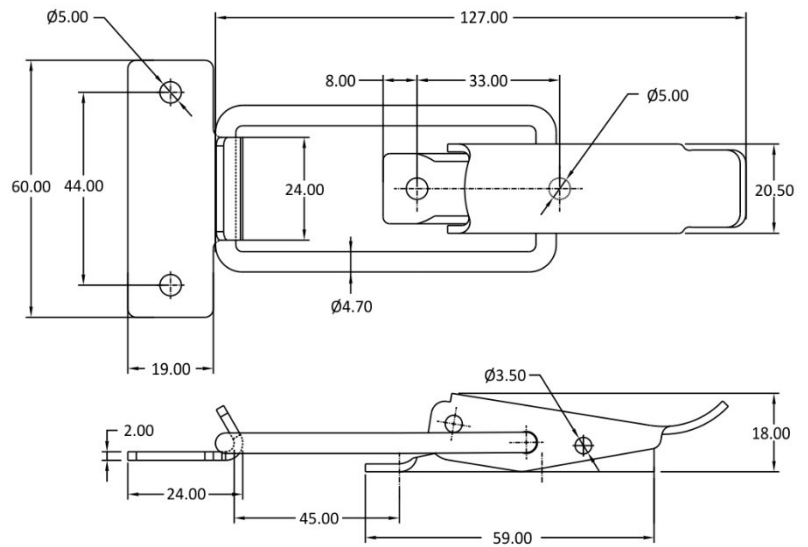


[www.conceptlatch.com.au](http://www.conceptlatch.com.au)

[sales@conceptlatch.com.au](mailto:sales@conceptlatch.com.au)

03 9388 2551

**Model No: PAH-30-588LP**  
 Holding Capacity - 4.40 kN  
 Weight - 0.085 kgs  
 In Stainless Steel: PAH-30-588LP-SS



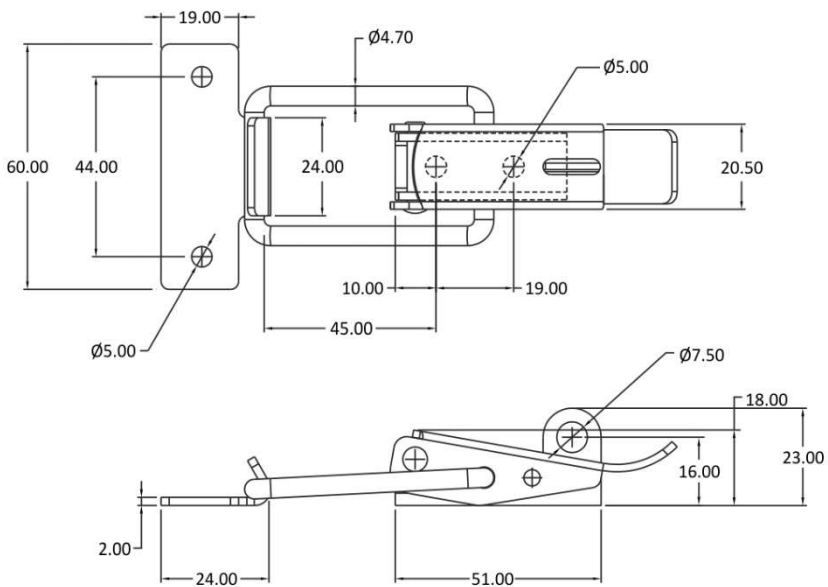
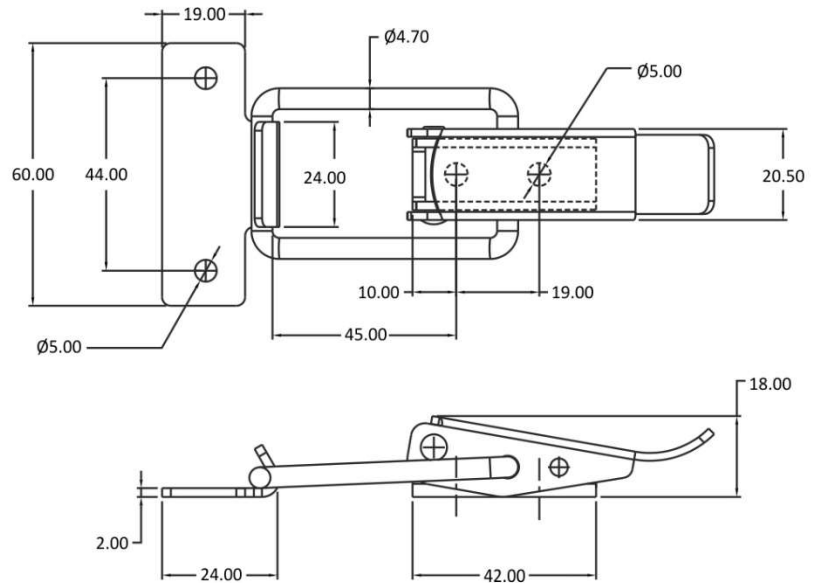
**Model No: PAH-30-590**  
 Holding Capacity - 4.40 kN  
 Weight - 0.085 kgs  
 In Stainless Steel:  
 PAH-30-590-SS

**Model No: PAH-30-500**

Holding Capacity - 4.40 kN

Weight - 0.060 kgs

In Stainless Steel: PAH-30-500-SS



**Model No: PAH-30-550**

Holding Capacity - 4.40 kN

Weight - 0.068 kgs

In Stainless Steel: PAH-30-550-SS





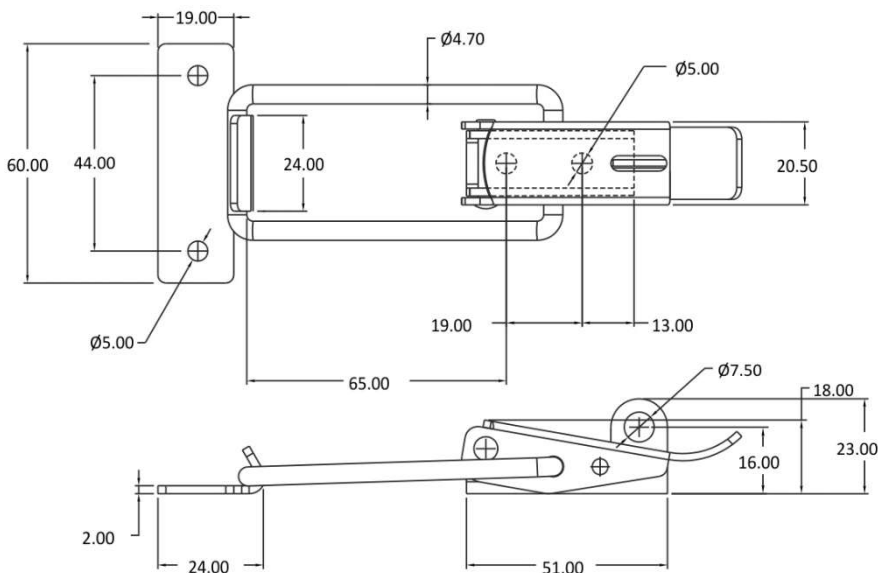
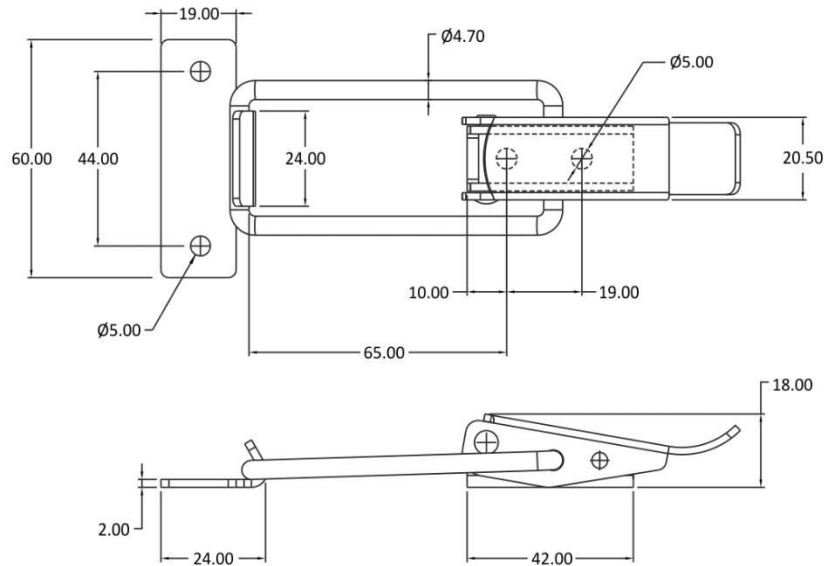
# Concept Latch Lock & Hinge

## Model No: PAH-30-800

Holding Capacity - 4.40 kN

Weight - 0.075 kgs

In Stainless Steel: PAH-30-800-SS



## Model No: PAH-30-850

Holding Capacity - 4.40 kN

Weight - 0.080 kgs

In Stainless Steel:

PAH-30-850-SS



[www.conceptlatch.com.au](http://www.conceptlatch.com.au)

[sales@conceptlatch.com.au](mailto:sales@conceptlatch.com.au)

03 9388 2551