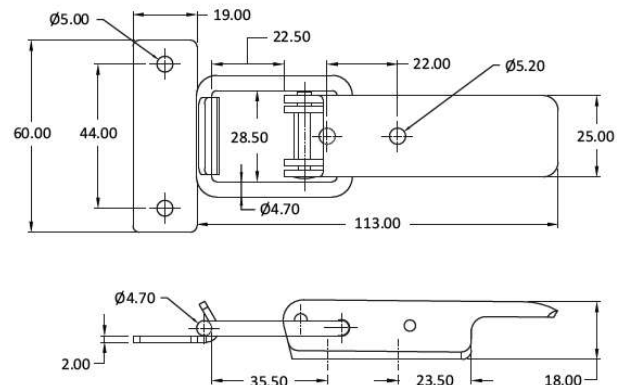


Steel-Smith Latch Clamps PAH – 33 & 38

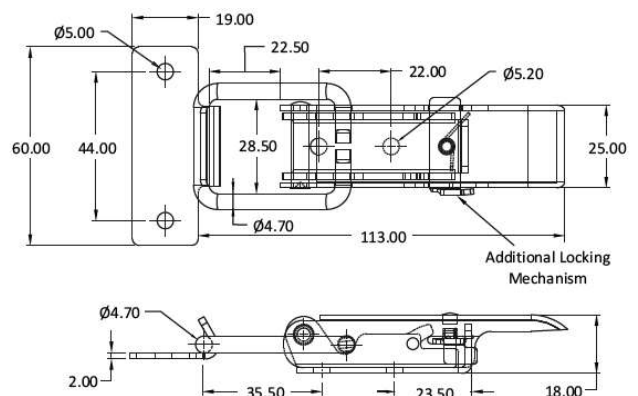
Model No: PAH-33-1260
 Holding Capacity: 4.40 kN
 Weight: 0.110 kgs

Also Available
 in Stainless Steel
 PAH-33-1260-SS



Model No: PAH-38-1260-TRIG
 Holding Capacity: 4.40 kN
 Weight: 0.120 kgs
 with Additional Locking Mechanism

Also Available
 in Stainless Steel
 PAH-38-1260-TRIG-SS

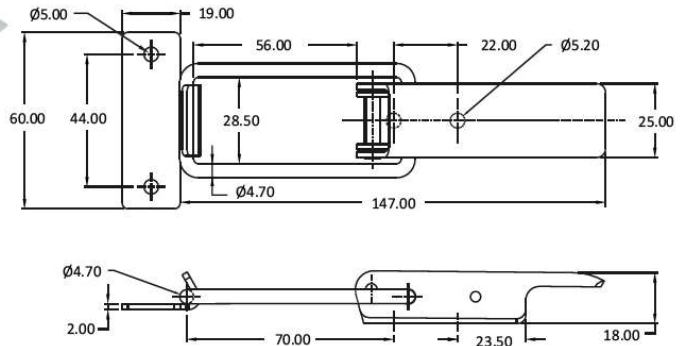


Model No: PAH-33-5880

Holding Capacity: 4.40 kN

Weight: 0.120 kgs

Also Available
in Stainless Steel
PAH-33-5880-SS



Model No: PAH-38-5880-TRIG

Holding Capacity: 4.40 kN

Weight: 0.130 kgs

with Additional Locking Mechanism

Also Available
in Stainless Steel
PAH-38-5880-TRIG-SS

