

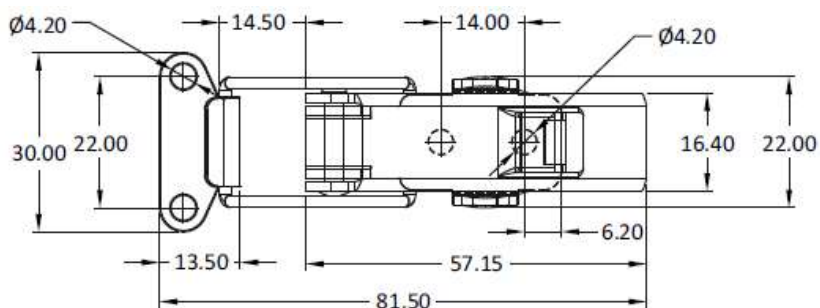
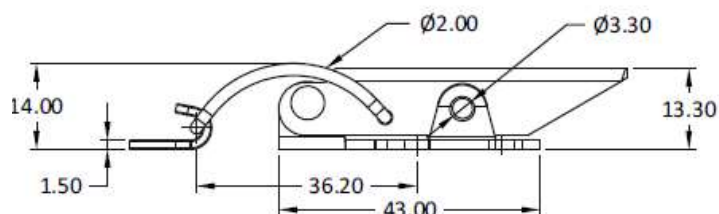
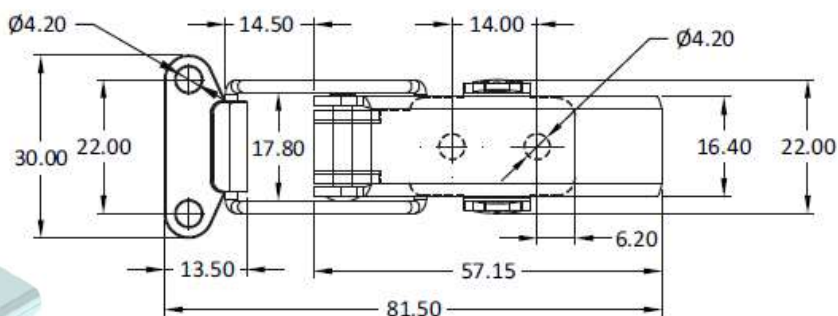
Steel-Smith Latch Clamps – PAH-27 Series – Wire Latch

Model No: PAH-27-633

Holding Capacity: 0.90 kN

Weight: 0.035 kgs

In Stainless Steel: PAH-27-633-SS

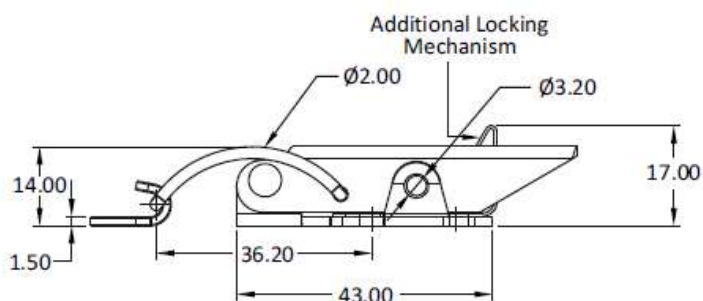


Model No: PAH-27-1570

Holding Capacity: 0.90 kN

Weight: 0.040 kgs

In Stainless Steel: PAH-27-1570-SS



www.conceptlatch.com.au

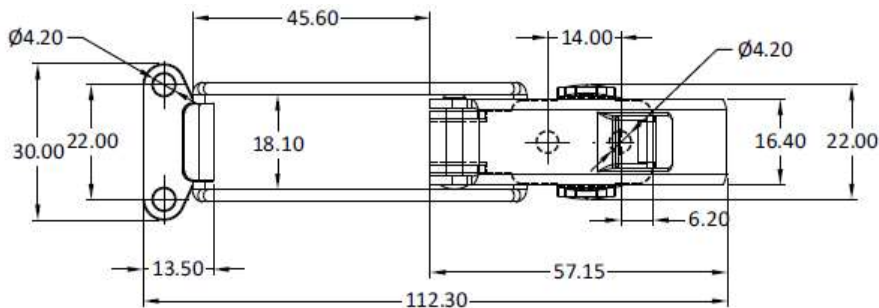
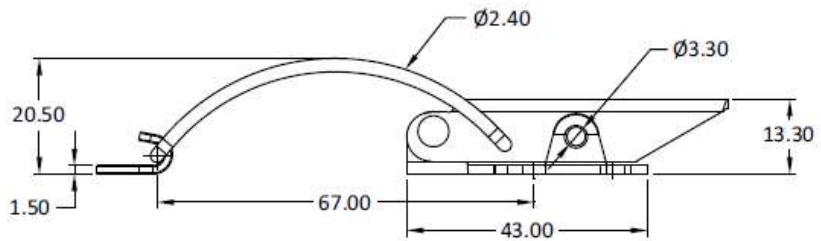
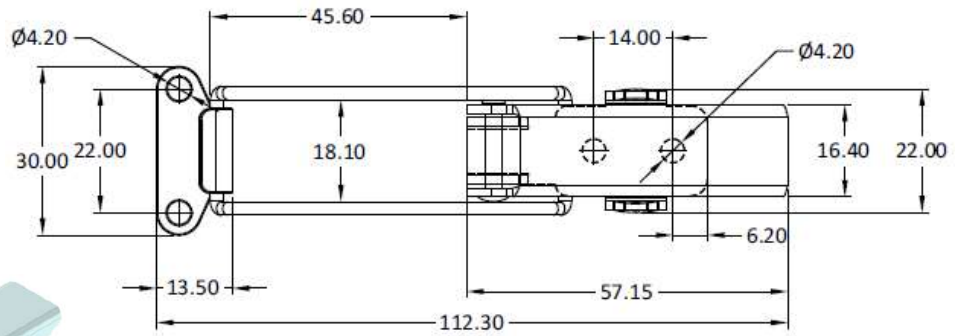
sales@conceptlatch.com.au

03 9388 2551



Concept Latch Lock & Hinge

Model No: PAH-27-1620
Holding Capacity: 0.90 kN
Weight: 0.040 kgs
In Stainless Steel: PAH-27-1123-SS



Model No: PAH-27-1750
Holding Capacity: 0.09 kN
Weight: 0.050 kg
In Stainless Steel: PAH-27-1750-SS

