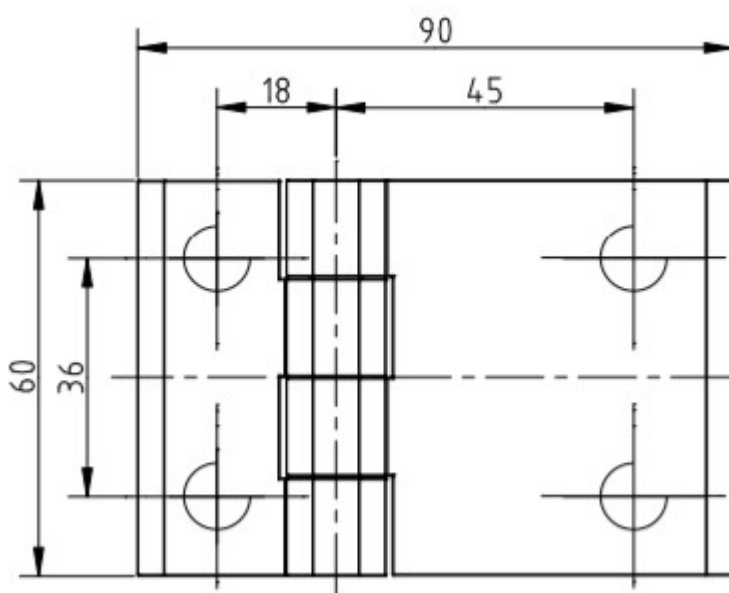


Diecast Hinge 2101-691-20

- Zinc diecast, black powder coated
- 180 degree opening angle
- Size 90 x 60mm, 8mm thick
- M8 threaded studs
- Chrome P/N 2101-691-30



All measurements are in mm

