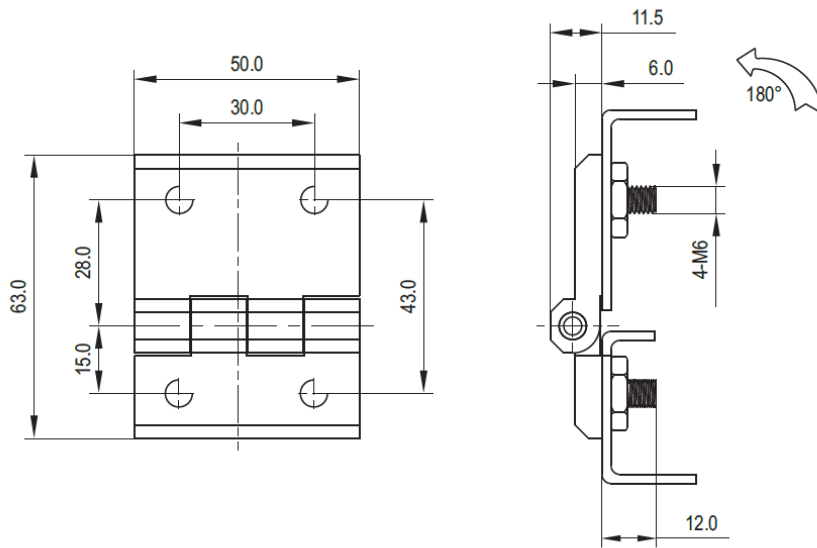




Concept  
Latch Lock & Hinge

## 2101-5631



锌合金, 镀锌钢或不锈钢销轴和螺柱, 表面处理可做喷塑黑和电镀亮铬  
Zinc die, m.s. zinc plated or SUS pin and threaded studs, black powder coated or bright chrome.

