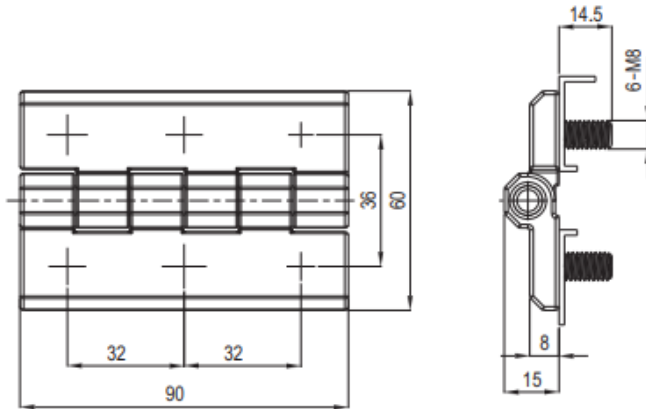




Concept
Latch Lock & Hinge

2101-961



锌合金，镀锌钢或不锈钢销轴和螺柱，表面处理可做喷塑黑和喷沙镀铬
Zinc die, m.s. zinc plated or SUS pin and threaded studs, black powder coated or textured chrome plated

螺钉固定铰链 Screw-on Hinge 90X60		
	M8 镶嵌螺柱 With Threaded Studs M8	
表面处理 Finish	左开 Left	右开 Right
喷塑黑 Black Powder Coated	2101-961-20L	2101-961-20R
喷沙镀铬 Textured chrome plated	2101-961-79L	2101-961-79R

