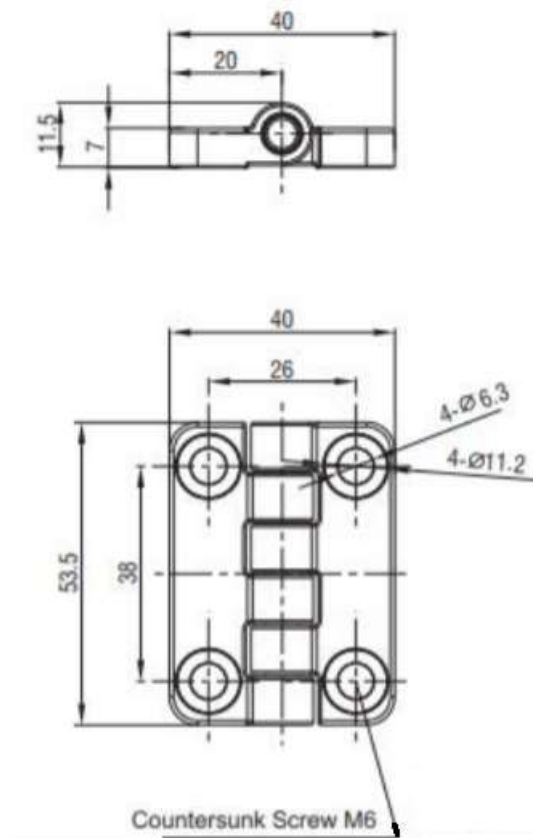


Diecast Hinge 2102-540-30

- Zinc diecast, chrome plated
- 180 degree opening angle
- Size: 54mm x 40mm, 7.2mm thick
- Countersunk M6 screw
- Also in black powder coated 2102-540-10



All measurements are in mm