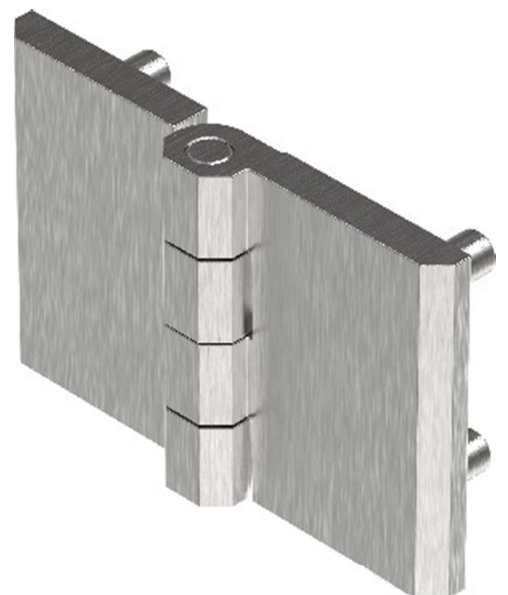
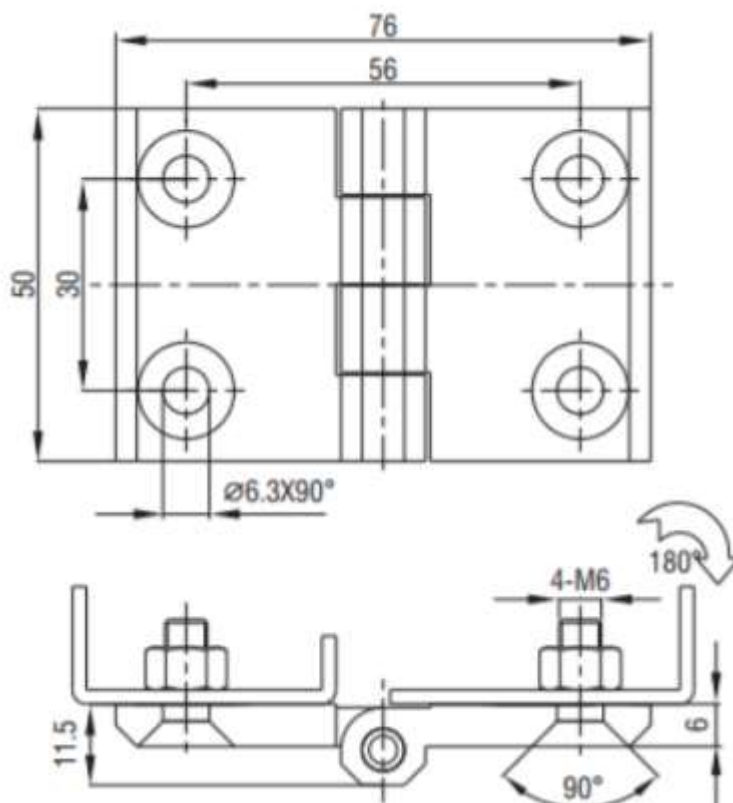


## Diecast Hinge 2101-576

- Zinc diecast, black powder coated
- Chrome P/N 2101-576-30
- 180 degree opening angle
- Size 50 x 76mm, 5mm thick
- M6 Countersunk screw
- M6 threaded stud mounted version (P/N 2101-5761 or chrome 2101-5761-30)



All measurements are in mm