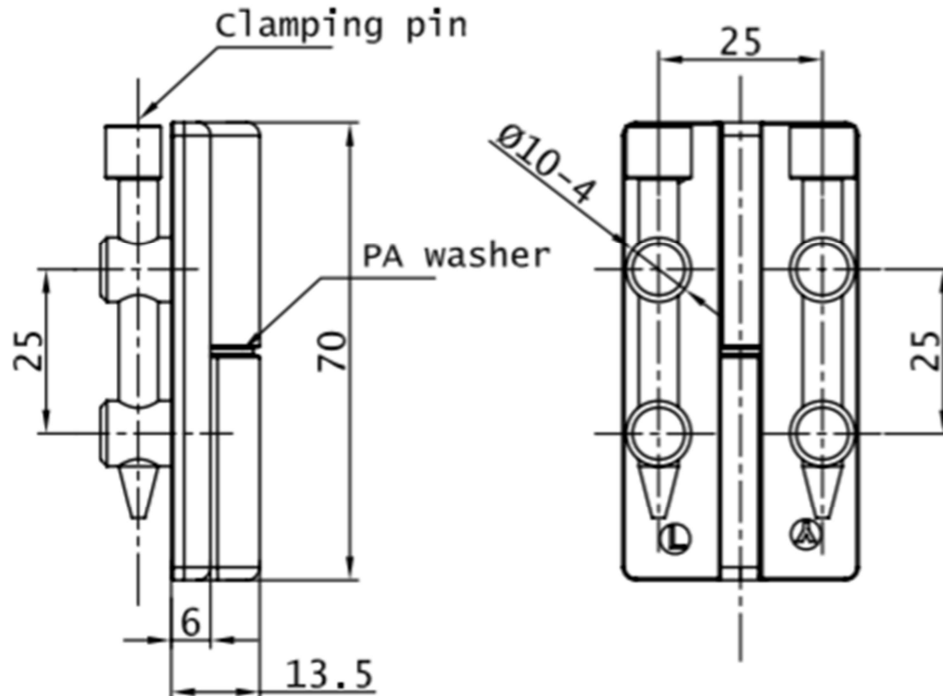


Diecast Lift Off Hinge 2107

- Zinc diecast, black powder coated
- Size 70 x 36mm
- With PA clamping pin
- Left hand P/N 2107-L
- Right hand P/N 2107-R



All measurements are in mm