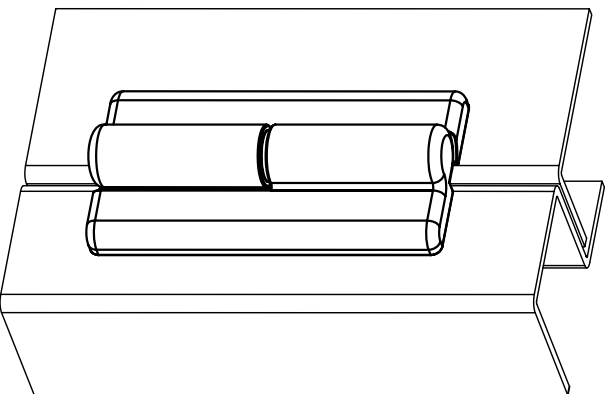
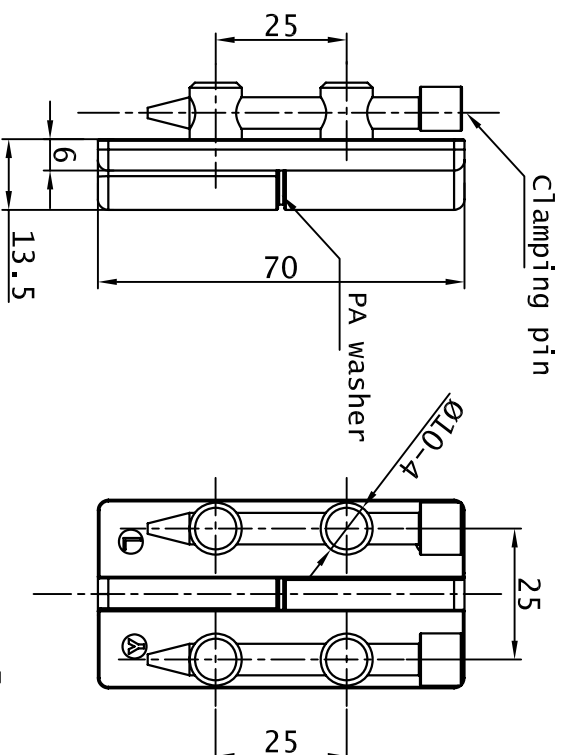
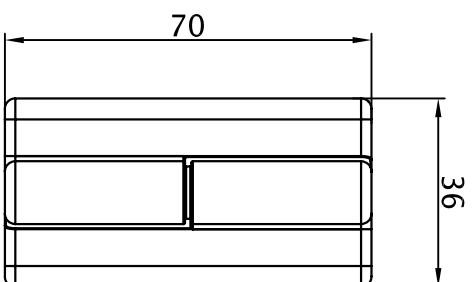
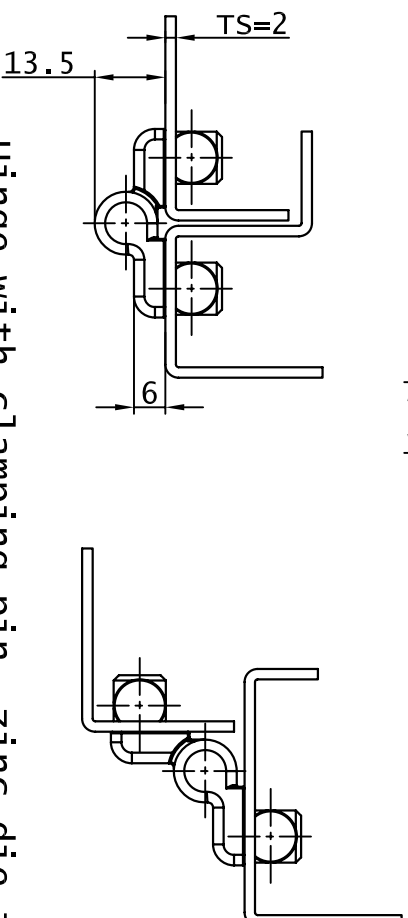


Cutout



- *Left side opening
- *For panel thickness=2mm
- *Assembling: Hinge is to be fixed just by knocking in the PA two pins
- *Right side opening also available



Hinge with clamping pin, zinc die in black textured powder coated, polyamide black clamping pin, Hinge pin stainless steel, PA pin washer

| | | | | | | | | | | | | | |
|---|---|---------|-------|-----------|-----------|-------|-----|------------------------|--------|-------|-------|------|-------------------------------|
| DRAWING DATE | 2012-12-19 | TAG | COU | ALTERABLE | SIGNATURE | SCALE | 1/1 | FIRST ANGLE PROJECTION | DESIGN | DRAWN | PROOF | APP. | |
| CHANGE DATE | | | | | | | | | | | | | |
| FILE NAME | Assembly | | | | | | | | | | | | |
| We reserve all rights in this document and in the information contained therein; reproduction, use or disclosure to third parties without express authority is strictly forbidden. ©copyright 2005 YEEKA. Dimensions in Metric. | | | | | | | | | | | | | |
| TITLE | 2107-L Zinc die casting Hinge with clamping pin | | | | | | | | | | | | |
| DWG NO | 2107-L-000-000 | VERSION | YEEKA | | | | | | | | | | Wenzhou Yeeka Hardware Co.Ltd |