

DETENT TORQUE HINGE HG-DTA



● Detent function prevents spring-back in closed position.

[Specifications]

● Operating temperature: 0°C ~40°C

[Applications]

● Small device with cover, folding machine, etc.

[Remarks]

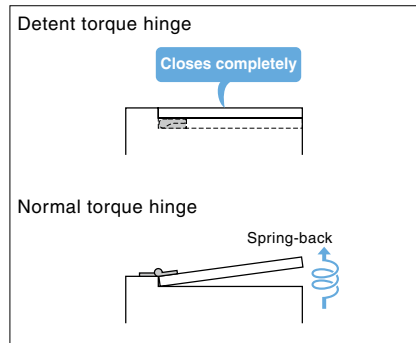
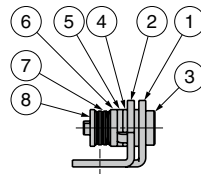
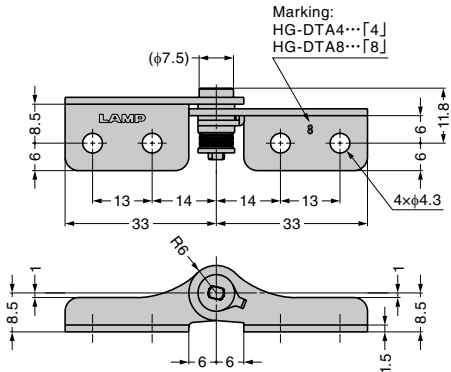
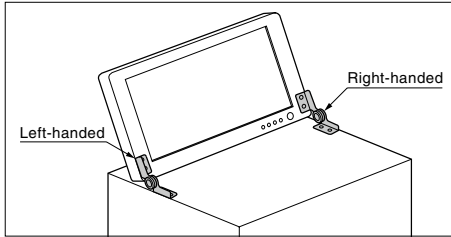
- Be sure to read the "Cautions" 1.
- For pair using: Please use the same torque in both hinges.
- When installing, ensure that both hinge shafts are levelled and aligned.

Video Link

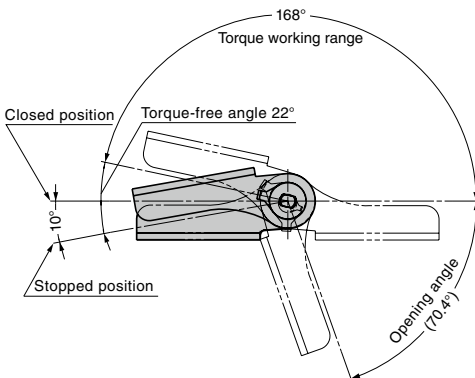


Selection Tool
Sasuga-kun
 Applicable Products
 Used for Product Selection & Simulation.
 Available on Web!

[Application Example]



● Detent function prevents spring-back in closed position.



Left-handed type shown. Right-handed type is symmetrical.

No.	Part Name	Material	Finish
①	Base	Stainless Steel (SUS304)	Barrel Polished
②	Bracket		
③	Shaft	Stainless Steel (SUS303)	-
④	Washer	Stainless Steel	
⑤	Cam A		
⑥	Cam B		
⑦	Spring Washer		
⑧	Plate	Stainless Steel (SUS304)	

RHS	CAD	Item Code	Item Name	Type	Torque		Release Torque※		Weight (g)	Box (pcs)	Carton (pcs)
					N·m/pc	kgf·cm/pc	N·m/pc	kgf·cm/pc			
☑	☑	170-026-457	HG-DTA4-R	Right-handed	0.4 ± 20%	4.08 ± 20%	0.7 ± 20%	7.14 ± 20%	19	50	500
☑	☑	170-026-458	HG-DTA4-L	Left-handed						50	500
☑	☑	170-026-459	HG-DTA8-R	Right-handed	0.8 ± 20%	8.16 ± 20%	1.5 ± 20%	15.31 ± 20%		50	500
☑	☑	170-026-460	HG-DTA8-L	Left-handed						50	500

Refer to 1 : P.15

※ Torque required to release detent.

DETENT TORQUE HINGE HG-DTB



● Detent function prevents spring-back in closed position.

[Specifications]

● Operating temperature: 0°C ~ 40°C

[Applications]

● Small device with cover, folding machine, etc.

[Remarks]

- Be sure to read the "Cautions" 1.
- For pair using: Please use the same torque in both hinges.
- When installing, ensure that both hinge shafts are levelled and aligned.

Video Link



Selection Tool
Sasuga-kun
 Applicable Products
 Used for Product Selection & Simulation.
 Available on Web!

TORQUE HINGES

DAMPER HINGES

LIFT ASSIST HINGES

DETENT HINGES

CONCEALED HINGES

BUTT HINGES

PIANO HINGES

STEP HINGES

LIFT-OFF HINGES

PIVOT HINGES

SPRING HINGES

CLEAN ROOM HINGES

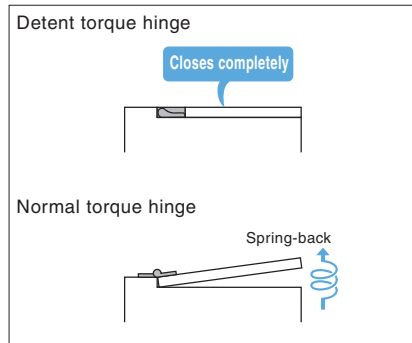
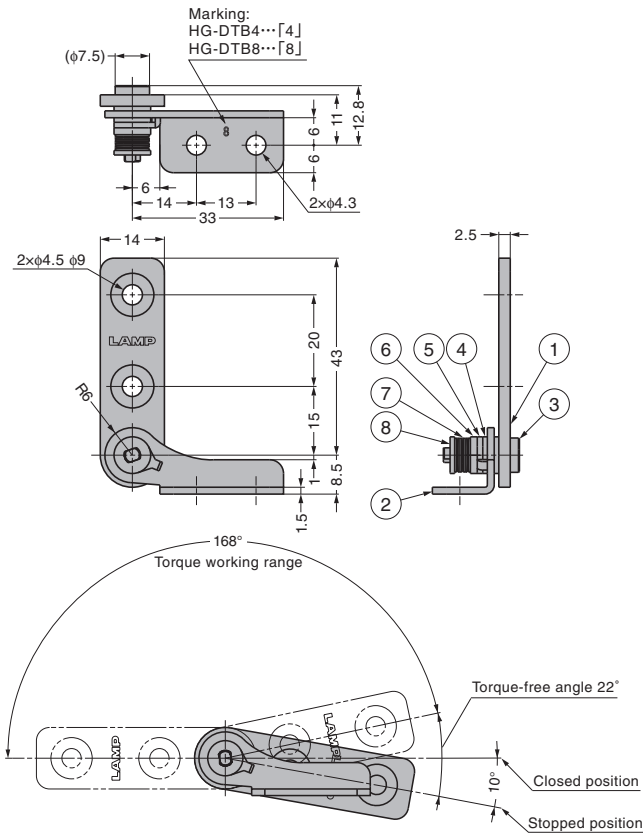
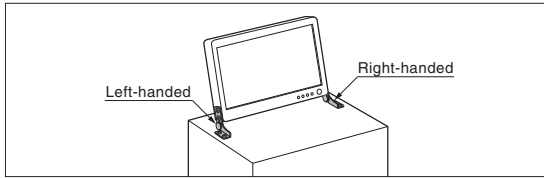
HINGES FOR ALUMINUM FRAME

DROP HINGES

GLASS DOOR HINGES

SPECIAL HINGES

[Application Example]



● Detent function prevents spring-back in closed position.

Left-handed type shown. Right-handed type is symmetrical.

No.	Part Name	Material	Finish
①	Base	Stainless Steel (SUS304)	Barrel Polished
②	Bracket	Stainless Steel (SUS304)	Barrel Polished
③	Shaft	Stainless Steel (SUS303)	
④	Washer	Stainless Steel	-
⑤	Cam A		
⑥	Cam B		
⑦	Spring Washer		
⑧	Plate	Stainless Steel (SUS304)	

RoHS	CAD	Item Code	Item Name	Type	Torque		Release Torque※		Weight (g)	Box (pcs)	Carton (pcs)
					N·m/pc	kgf·cm/pc	N·m/pc	kgf·cm/pc			
☑	☑	170-026-461	HG-DTB4-R	Right-handed	0.4±20%	4.08±20%	0.7±20%	7.14±20%	22	50	500
☑	☑	170-026-462	HG-DTB4-L	Left-handed						50	500
☑	☑	170-026-463	HG-DTB8-R	Right-handed	0.8±20%	8.16±20%	1.5±20%	15.31±20%	23	50	400
☑	☑	170-026-464	HG-DTB8-L	Left-handed						50	400

Refer to 1 : P.15

※Torque required to release detent.