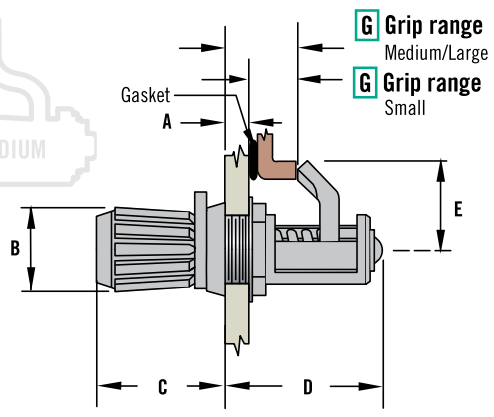
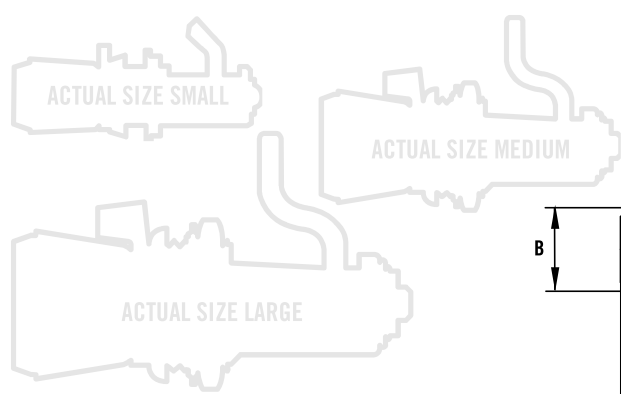


16 Compression Latch

Self-adjusting · Cam indicator · Knob actuated · Single hole mount



Size	Grip Range		Part Number
	Min.	Max.	
Small	3.2 (.12)	10.3 (.41)	16-10-511-16
Medium	1.6 (.06)	8.7 (.34)	16-10-411-14
	7.1 (.28)	14.3 (.56)	16-10-412-14
Large	1.6 (.06)	12.7 (.50)	16-10-311-14
	9.5 (.37)	20.6 (.81)	16-10-312-14

Size	A. Max.	B	C	D	E
Small	2.4 (.09)	9.9 (.39)	15.5 (.61)	18.3 (.72)	10 (.40)
Medium	2.4 (.09)	13.5 (.53)	17.3 (.68)	23.4 (.92)	19 (.75)
Large	4.8 (.190)	19 (.75)	21.8 (.86)	32.9 (1.3)	23 (.91)

- Three sizes available
- Easy grip adjustment

Material and Finish

Steel, zinc plated

Performance Details

- Small: Working load: 135 N (30 lbf)
- Medium: Working load: 220 N (50 lbf)
- Large: Working load: 335 N (75 lbf)

Other options available. For complete details on variety, part numbers, installation and specification, go to



www.southco.com/16

43 · 44 · 14 Compression Latches

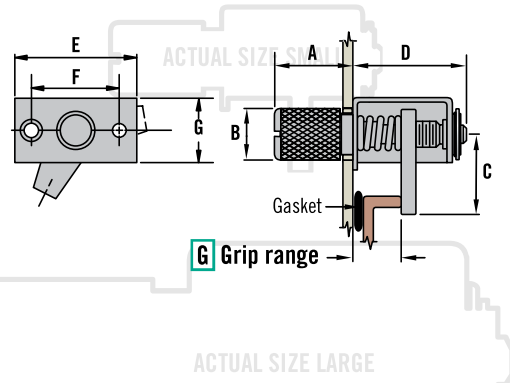
Self-adjusting · Three hole mount



44 · Medium size series

Material	Grip Range		Knurled Head	Slotted Head
	Min.	Max.		
Steel	3.2 (.12)	9.5 (.37)	44-1-1-0	44-1-16-0
	9.5 (.37)	19.1 (.75)	44-1-2-0	44-1-17-0
	19.1 (.75)	28.6 (1.12)	44-1-3-0	44-1-18-0
Stainless steel	3.2 (.12)	9.5 (.37)	44-1-1-24	44-1-16-24
	9.5 (.37)	19.1 (.75)	44-1-2-24	44-1-17-24
	19.1 (.75)	28.6 (1.12)	44-1-3-24	44-1-18-24

Also available: Tool recess, Slotted, Hex recess



Size	A	B	C	D	E	F	G
Small 43	15.1 (.59)	8.9 (.35)	15.9 (.63)	22.2 (.88)	28.6 (1.13)	20.6 (.81)	13.9 (.55)
Medium 44	23.8 (.94)	14.6 (.57)	25.4 (1.0)	32.1 (1.27)	44.5 (1.75)	31.8 (1.25)	22.2 (.88)
Large 14	28.6 (1.13)	22.7 (.90)	34 (1.34)	44.5 (1.75)	63.5 (2.5)	47.6 (1.87)	33.3 (1.31)

- Three sizes available
- Three hole installation
- Easy grip adjustment

Material and Finish

Steel, zinc plated or stainless steel

Performance Details

- Working Load:
- 43 Small: 330 N (75 lbf)
 - 44 Medium: 490 N (110 lbf)
 - 14 Large: 670 N (150 lbf)

Other options available. For complete details on variety, part numbers, installation and specification, go to



www.southco.com/43
www.southco.com/44
www.southco.com/14



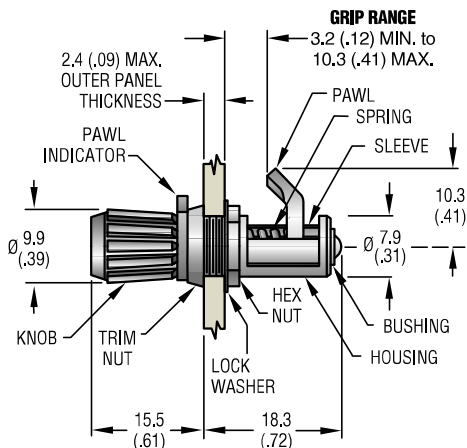
Dimensions in millimeters (inch) unless otherwise stated

Southco® Compression Latches

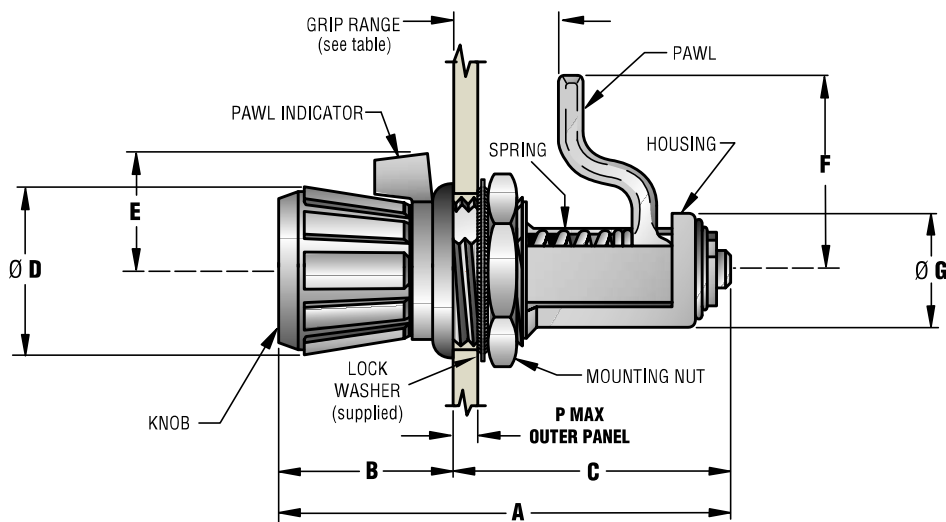
Pawl Indicator Style

- Arrow indicates pawl position
- Single-hole installation
- An extra turn adjusts the amount of compression applied
- Three sizes

500 series
PART NUMBER
16-10-511-16 •



300 and 400 series (see table below for PART NUMBERS)



DIMENSIONS								GRIP		PART NUMBERS	Pawl position	Series
A	B	C	D	E	F	G	P	MIN.	MAX.			
54.8 (2.16)	21.8 (.86)	32.9 (1.30)	19 (.75)	12.7 (.50)	23 (.91)	15.5 (.61)	4.8 (.19)	1.6 (.063) 9.5 (.375)	12.7 (.500) 20.6 (.813)	16-10-311-14 • 16-10-312-14 •	V X	300
40.7 (1.60)	17.3 (.68)	23.4 (.92)	13.5 (.53)	9.1 (.36)	19 (.75)	11.5 (.45)	2.4 (.09)	1.6 (.063) 7.1 (.28)	8.7 (.344) 14.3 (.563)	16-10-411-14 • 16-10-412-14 •	V X	400

INSTALLATION				
H	K	M	N	
			MIN.	MAX.
19 (.750)	17.5 (.687)	8.7 (.344)	17.5 (.688)	20.6 (.813)
14.3 (.562)	12.7 (.500)	6.4 (.250)	14.3 (.563)	17.5 (.688)

