



# G6 Hinge

Position control · Detent

- Holds doors open without secondary mechanical support
- Detent holds door at 120° and 170°
- Can be opened to 180°

## Material and Finish

Acetal and nylon, black

## Performance Details

Radial load:

Maximum static load: 130 N (30 lbf)

Average ultimate load:

970 N (220 lbf)

Axial load:

Maximum static load: 130 N (30 lbf)

Average ultimate load:

1450 N (325 lbf)

Cycle life: 10,000 cycles

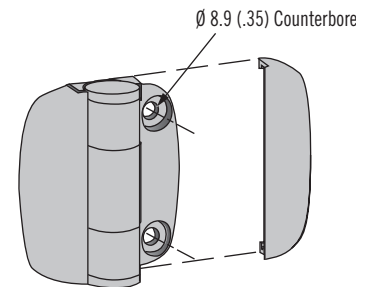
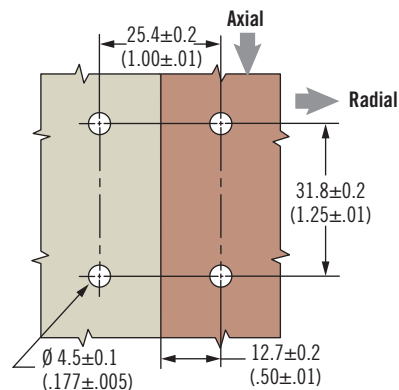
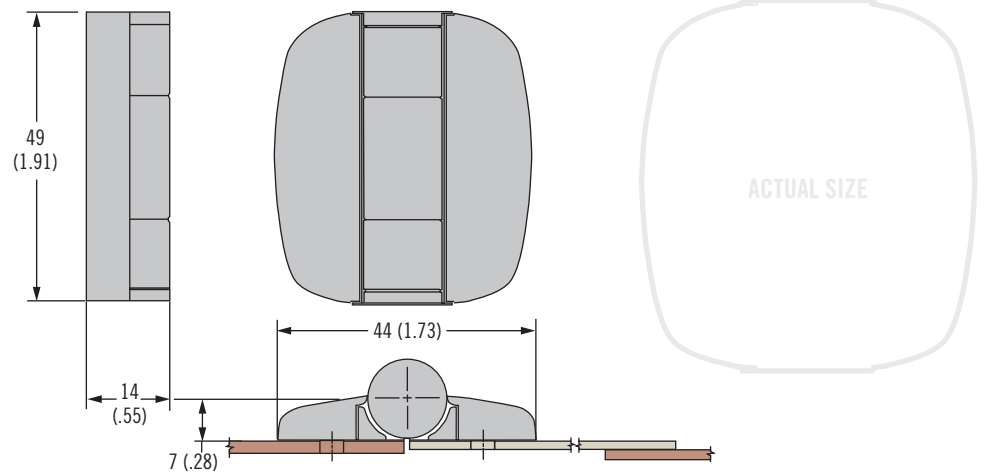
Operating temperature range:

-20 °C (0° F) to 80° C (180° F)

## Installation Notes

Screws not supplied

Hinge designed to accommodate M4 (No. 8) size Pan Head mounting hardware.



## Part Number

See table

Part Number	Detent Angle	Positioning Torque
G6-0-1	<p>Free swinging (no detents)</p>	~
G6-5-1		1.1 N·m (10 in·lbf)

Other options available. For complete details on variety, part numbers, installation and specification, go to



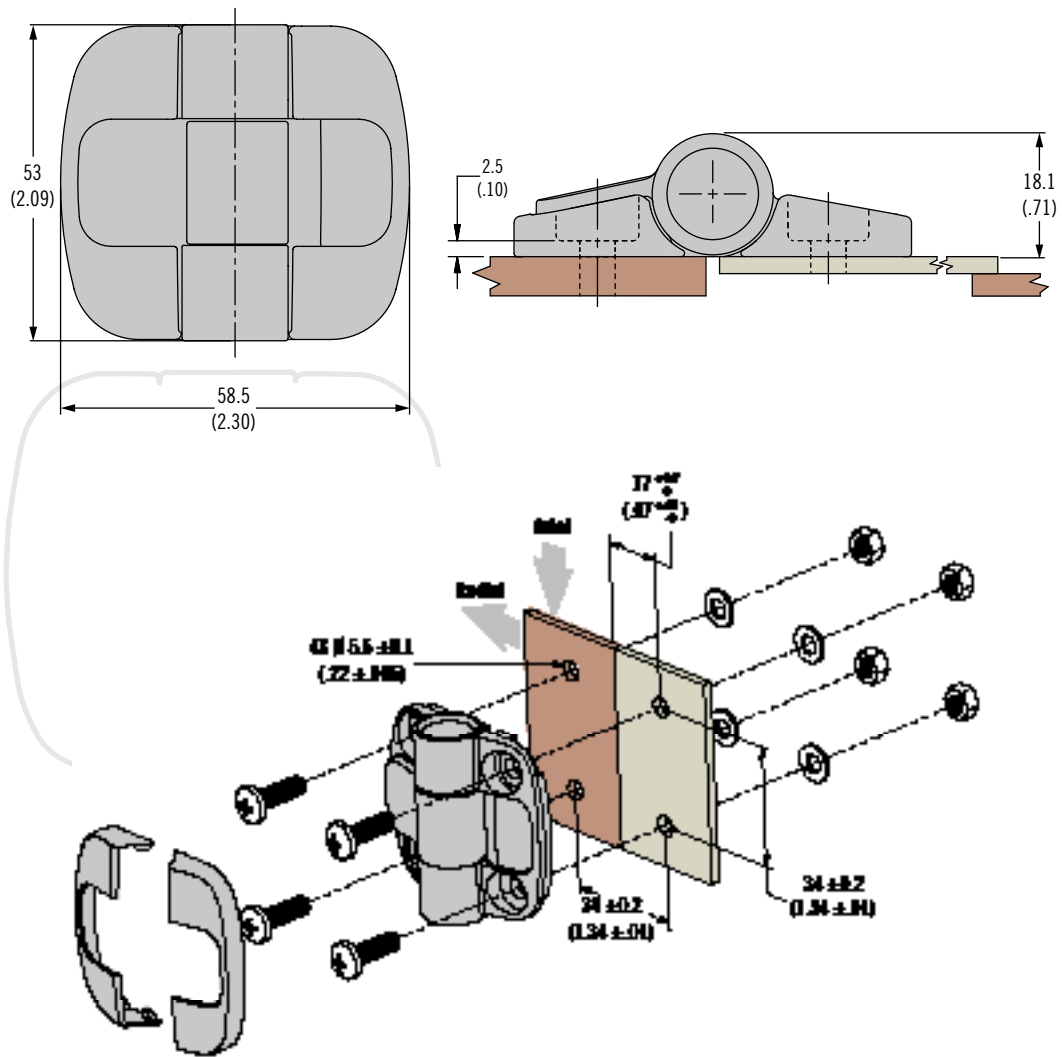
[www.southco.com/G6](http://www.southco.com/G6)

Dimensions in millimeters (inch) unless otherwise stated



# C6 Hinge

Position control · Detent



- Holds doors open without secondary mechanical support
- Detents holds door at 80°, 115° or 150°
- All versions can be further opened to 180°

### Material and Finish

Acetal, black  
Internal components:  
Stainless steel

### Performance Details

Radial load:  
Maximum static load:  
450 N (100 lbf)  
Average ultimate load:  
2600 N (575 lbf)

Axial load:  
Maximum static load:  
450 N (100 lbf)  
Average ultimate load:  
1800 N (400 lbf)

Cycle life: Up to 20,000

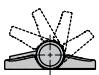
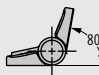
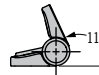
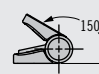
Operating temperature range:  
-40°C (-40°F) to 80°C (180°F)

### Installation Notes

Mounting hardware not supplied.  
Designed to accommodate M5 (No. 10) mounting hardware with a maximum head diameter of 10.1 (.40) and a maximum head height of 3 (.12).

### Part Number

See table

Type	Positioning Torque N·m (in·lbf)	Part Number
 No Detents	Free operating	C6-220
 80 Degree	0.7 (6)	C6-221
	1.1 (10)	C6-222
	1.7 (15)	C6-223
 115 Degree	0.7 (6)	C6-224
	1.1 (10)	C6-225
	1.7 (15)	C6-226
 150 Degree	0.7 (6)	C6-227
	1.1 (10)	C6-228
	1.7 (15)	C6-229