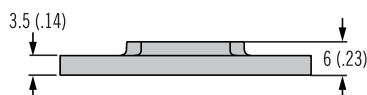
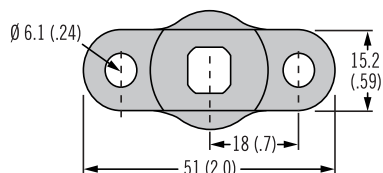


E5 Cam Latch Accessories

Multi-point actuators · Dummy cam



Multi-Point Actuator



Part Number

A5-91-201-11

Material and Finish

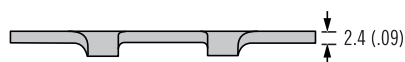
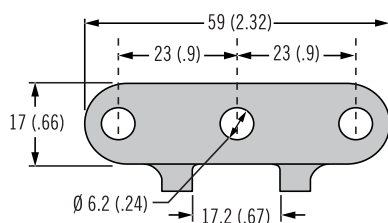
Zinc alloy

Notes

Actuator plate (for multi-point see page 272 for cable assembly)
(Not recommended for Cylinder Lock version)

Not to be used with low profile E5

Multi-Point Actuator - Low Profile



Part Number

A8-4-01-03

Material and Finish

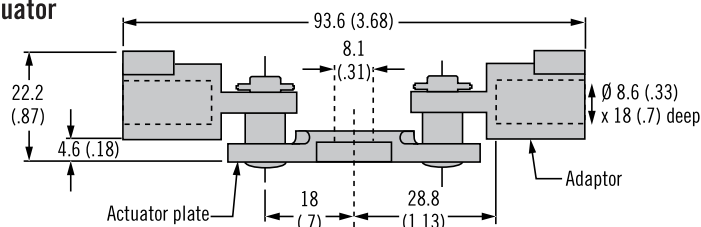
Steel, plated

Notes

Actuator plate (for multi-point see pages 198-199 for rods)

For use with all E5 latches

Multi-Point Actuator



Part Number

A5-90-101-11

Material and Finish

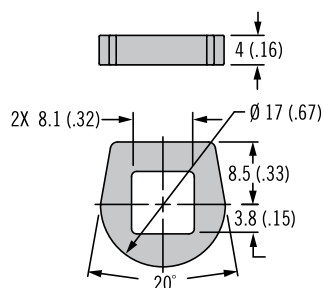
Zinc alloy and steel, zinc plated

Notes

Actuator plate (for multi-point see page 198 for rods)

Not to be used with low profile E5

Dummy Cam



Part Number

Steel	H3-0-45688
-------	------------

Stainless Steel	H3-0-45688-24
-----------------	---------------

Material and Finish

Steel, stainless steel

Notes

Replaces cam when used with actuator plate A5-90-101-11 in order to create a 2-point latching system



E5 Cam Latch Accessories

Hooked cam · Multi-point actuator · Cable brackets

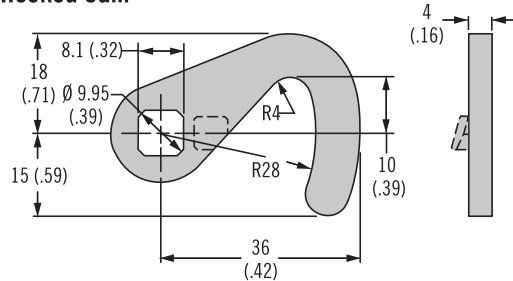
Material and Finish

- Steel plated
- Hook cam: Steel, plated
- Multi-point actuator: Zinc alloy, plated
- Cable bracket: Steel, plated

Notes

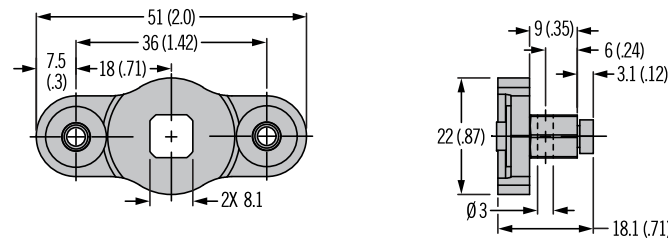
Not to be used with low profile E5

Hooked Cam



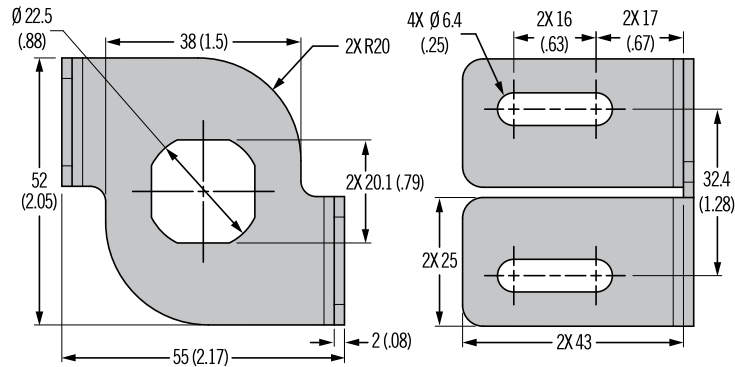
Hooked Cam Part Number	
E5-6200	No stop
E5-6210	Stop for clockwise rotation
E5-6220	Stop for counter-clockwise rotation

Multi-Point Actuator



Part Number
A5-99-136

Cable Bracket – Counter Clockwise Rotation



Part Number
AC-0-49617-11-L

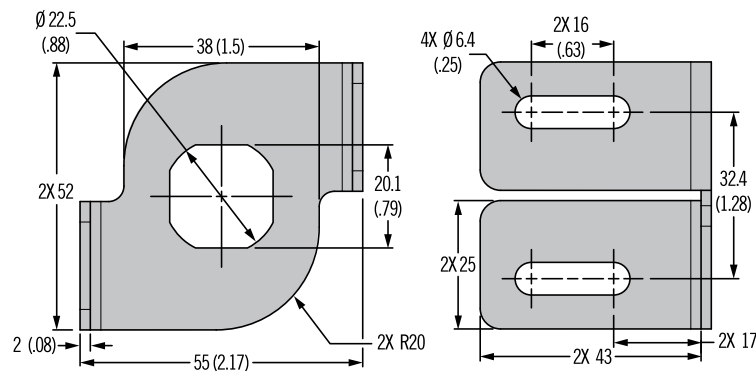
Part Number

See table

Notes

See page 272 for additional cable assembly selections

Cable Bracket – Clockwise Rotation



Part Number
AC-0-49617-11-R

Dimensions in millimeters (inch) unless otherwise stated