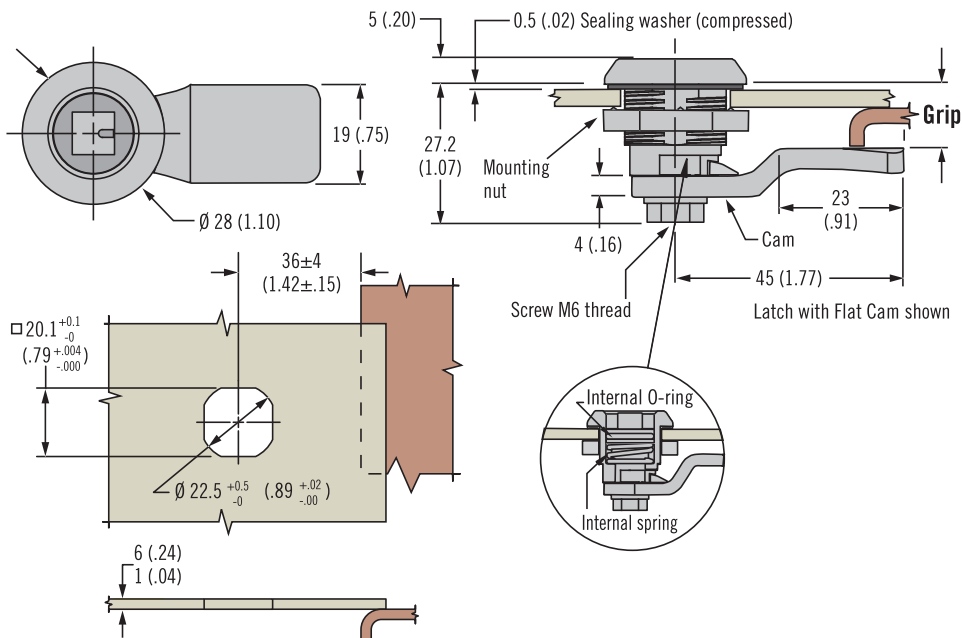




E5 Cam Latch

Zinc · Tool operated · Short Housing · Fixed grip



- Single hole install
- Latched / unlatched indicator
- EN 45545-3 E10 Compliant

Material and Finish

Zinc alloy, powder coated or chrome plated and steel, zinc plated

Performance Details

Maximum static load: 330 N (74 lbf)

Installation Notes

Mounting nut:
Maximum tightening torque:
10 N·m (88 in·lbf)

Screw Maximum tightening torque:
5 N·m (45 in·lbf)

Sealing Notes

NEMA 4 / IP65 achieved using gasket supplied

Keys and Accessories

See page 130

Notes

Suitable for push-to-close action
see page 128

Part Number Selection

See table

Order latch and cam separately

Optional Keeper for Roller Cam

Part number E5-74-601-33

Latch Part Number (no cam)

E5 - 6 - H F - UU1

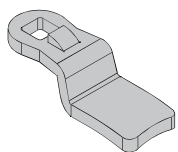
H Head Styles

00 Slotted	01 8 (.32) Hex recess	02 7 (.28) Triangle	03 8 (.32) Triangle
04 7 (.28) Square	05 8 (.32) Square	06 3 (.11) Double bit5	07 5 (.19) Double bit
08 8 (.32) Square recess	13 Bellcore 216	19 Bellcore electronics	21 Recessed slot (tamper resistant)
22 Railway standard	23 Blank		

F Finish

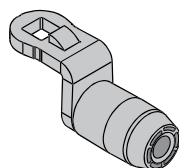
- 2 Bright chrome
- 5 Black powder coated

Cam Options - See Page 127A Short Housing Table



Flat Cam

- Stable frame engagement
- Improved surface contact
- Minimal frame surface prep



Roller Cam

- Reduce operating effort
- Minimize scratching frame finish
- Detented feel (with optional Keeper)





E5 Cam Latch

Zinc · Tool operated · Long Housing · Fixed grip

- Single hole install
- Latched / unlatched indicator
- Suitable for thick doors

Material and Finish

Zinc alloy, powder coated or chrome plated and steel, zinc plated

Performance Details

Maximum static load: 30 N (74 lbf)

Installation Notes

Mounting nut:
Maximum tightening torque:
10 N·m (88 in·lbf)
Screw Maximum tightening torque:
5 N·m (45 in·lbf)

Sealing Notes

NEMA 4 / IP65 achieved using gasket supplied

Keys and Accessories

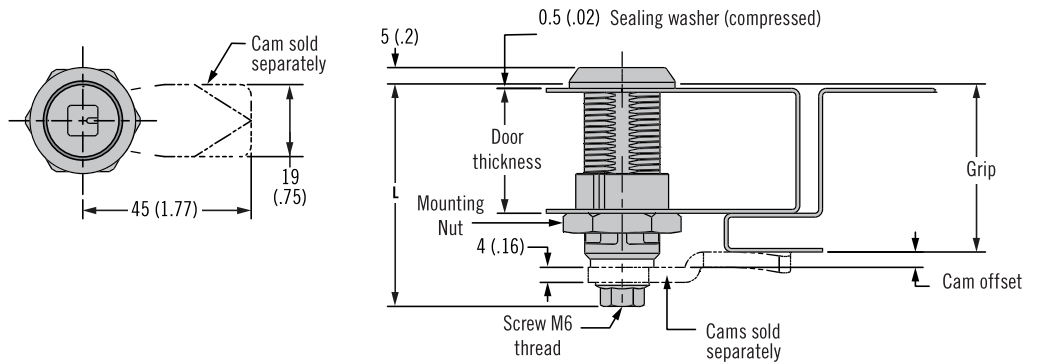
See page 130

Part Number Selection

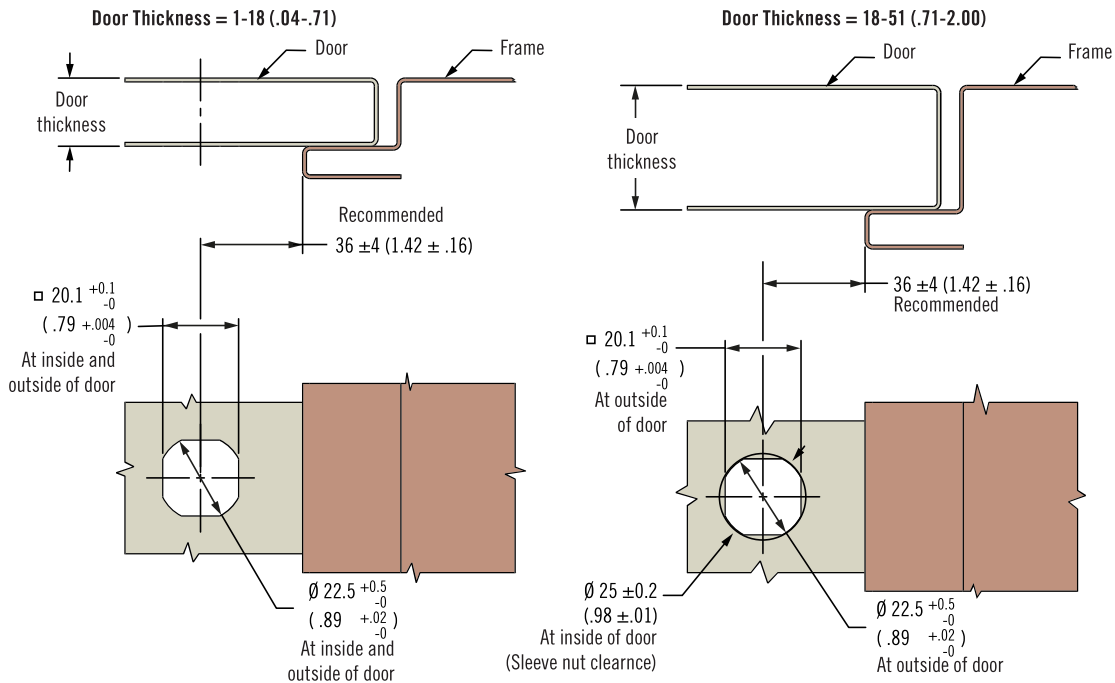
See table
Order latch and cam separately

Compatible with flat and roller cams
- See page 127B, Long Housing
Table for cam part numbers

Optional Keeper for Roller Cam
Part number E5-74-601-33



Door Preparation



E5 - 6 A - H F - UU D

F Finish
2 Bright chrome
5 Black powder coated

H Head style (See pg 117 for details)

- | | |
|-----------------------|-------------------------------------|
| 00 Slotted | 08 8 (.32) Square recess |
| 01 8 (.32) Hex recess | 13 Bellcore 216 |
| 02 7 (.28) Triangle | 19 Bellcore Electronics |
| 03 8 (.32) Triangle | 21 Recessed slot (tamper resistant) |
| 04 7 (.28) Square | 22 Railway standard |
| 05 8 (.32) Square | 23 Blank |
| 06 3 (.11) Double bit | |
| 07 5 (.19) Double bit | |

D	Door Thickness	Grip Range	L
1	1-18 (.04-.71)	5-53 (.20-2.09)	45.5 (1.79)
2	1-18 (.04-.71)	54-82 (2.13-3.23)	68.2 (2.69)
3	18-33 (.71-1.30)	18-66 (.71-2.60)	58.2 (2.29)
4	18-33 (.71-1.30)	68-82 (2.60-3.23)	68.2 (2.69)
5	33-51 (1.30-2.00)	34-82 (1.34-3.23)	68.2 (2.69)