



E6 Hinge

Position control · Constant torque

- Holds in every position
- No adjustment required
- Long cycle life

Material and Finish

Large: Zinc alloy, black paint
Medium: Aluminum alloy, black paint

Performance Details

Cycle performance: 20,000 cycles within $\pm 20\%$ of static torque specification

Radial load:

Large:

Maximum static load: 200 N (45 lbf)

Average ultimate load: 11000 N (2470 lbf)

Medium:

Maximum static load: 155 N (35 lbf)

Average ultimate load: 3000 N (675 lbf)

Axial load:

Large:

Maximum static load: 200 N (45 lbf)

Average ultimate load: 2800 N (630 lbf)

Medium:

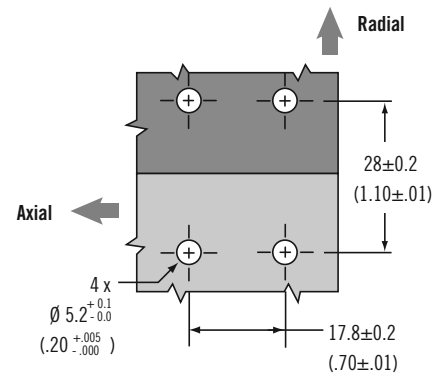
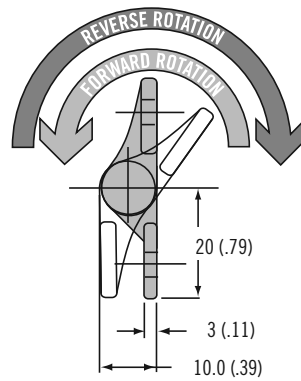
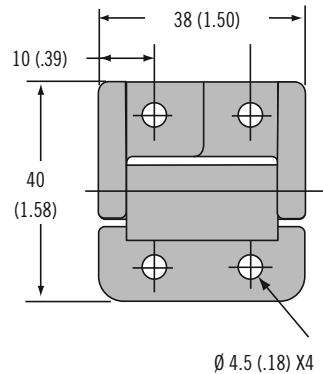
Maximum static load: 155 N (35 lbf)

Average ultimate load: 1600 N (360 lbf)

Part Number

See table

Medium



Symmetric

Part Number	Symmetric Torque N·m (in·lbf)
E6-10-200-50	Free operating
E6-10-208-50	0.9 (8)
E6-10-212-50	1.4 (12)
E6-10-216-50	1.8 (16)
E6-10-220-50	2.3 (20)

Asymmetric

Part Number	Forward Torque N·m (in·lbf)	Reverse torque N·m (in·lbf)
E6-10-212F-50	1.4 (12)	0.8 (7.2)
E6-10-216F-50	1.8 (16)	1.1 (9.6)
E6-10-220F-50	2.3 (20)	1.4 (12)
E6-10-224F-50	2.7 (24)	1.6 (14.4)
E6-10-212R-50	0.8 (7.2)	1.4 (12)
E6-10-216R-50	1.1 (9.6)	1.8 (16)
E6-10-220R-50	1.4 (12)	2.3 (20)
E6-10-224R-50	1.6 (14.4)	2.7 (24)

Other options available. For complete details on variety, part numbers, installation and specification, go to



www.southco.com/E6

Dimensions in millimeters (inch) unless otherwise stated

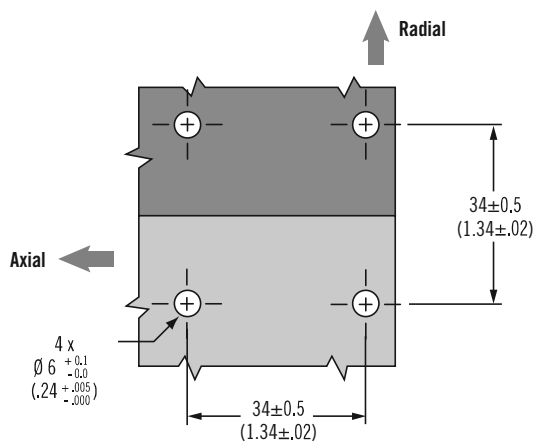
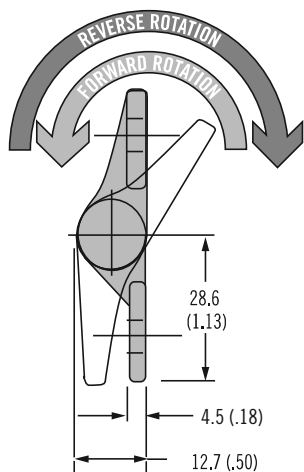
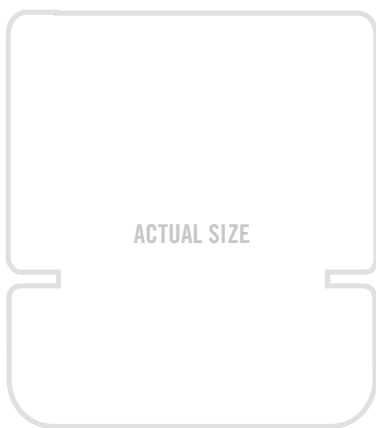
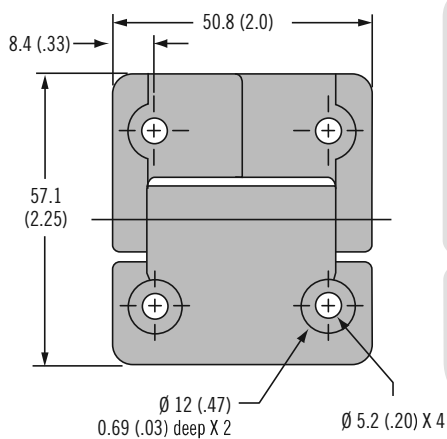
southco
CONNECT · CREATE · INNOVATE

E6 Hinge

Position control · Constant torque



Large



Symmetric

Part Number	Symmetric Torque N·m (in·lbf)
E6-10-400-50	Free operating
E6-10-416-50	1.8 (16)
E6-10-420-50	2.3 (20)
E6-10-430-50	3.4 (30)

Asymmetric

Part Number	Forward Torque N·m (in·lbf)	Reverse Torque N·m (in·lbf)
E6-10-420F-50	2.3 (20)	1.4 (12)
E6-10-430F-50	3.4 (30)	2.0 (18)
E6-10-440F-50	4.5 (40)	2.7 (24)
E6-10-420R-50	1.4 (12)	2.3 (20)
E6-10-430R-50	2.0 (18)	3.4 (30)
E6-10-440R-50	2.7 (24)	4.5 (40)

- Holds in every position
- No adjustment required
- Long cycle life



Material and Finish

Large: Zinc alloy, black paint
Medium: Aluminum alloy, black paint

Performance Details

Cycle performance: 20,000 cycles within ± 20% of static torque specification

Radial load:

Large:

Maximum static load: 200 N (45 lbf)

Average ultimate load:
11000 N (2470 lbf)

Medium:

Maximum static load: 155 N (35 lbf)

Average ultimate load:
3000 N (675 lbf)

Axial load:

Large:

Maximum static load: 200 N (45 lbf)

Average ultimate load:
2800 N (630 lbf)

Medium:

Maximum static load: 155 N (35 lbf)

Average ultimate load:
1600 N (360 lbf)

Part Number

See table



327A



E6 Hinge

Position Control · Constant Torque

- Holds in every position
- No adjustment required
- Long cycle life

Material and Finish

Aluminum alloy, black powder coat

Performance Details

Cycle performance
20,000 Cycles, see product drawing for details

Radial load:

Max. static load: 200 N (45 lbf)

Average ultimate load:
2200 N (500 lbf)

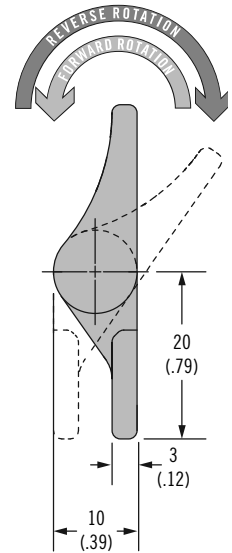
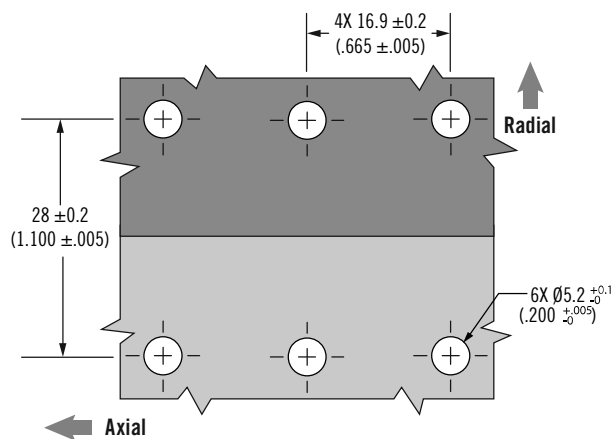
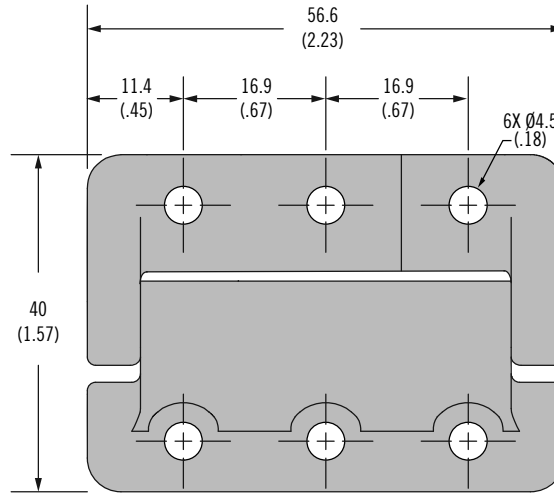
Axial load:

Max. static load: 200 N (45 lbf)

Average ultimate load:
1450 N (325 lbf)

Part Number

See table



Symmetric

Part Number	Symmetric Torque N·m (in·lbf)
E6-10E-200-50	Free operating
E6-10E-208-50	0.9 (8)
E6-10E-212-50	1.4 (12)
E6-10E-216-50	1.8 (16)
E6-10E-220-50	2.3 (20)
E6-10E-224-50	2.7(24)
E6-10E-230-50	3.4 (30)

Asymmetric

Part Number	Forward Torque N·m (in·lbf)	Reverse Torque N·m (in·lbf)
E6-10E-212F-50	1.4 (12)	0.8 (7.2)
E6-10E-216F-50	1.8 (16)	1.1 (9.6)
E6-10E-220F-50	2.3 (20)	1.4 (12)
E6-10E-224F-50	2.7 (24)	1.6 (14)
E6-10E-230F-50	3.4 (30)	2.0 (18)
E6-10E-240F-50	4.5 (40)	2.7 (24)
E6-10E-212R-50	0.8 (7.2)	1.4 (12)
E6-10E-216R-50	1.1 (9.6)	1.8 (16)
E6-10E-220R-50	1.4 (12)	2.3 (20)
E6-10E-224R-50	1.6 (14)	2.7 (24)
E6-10E-230R-50	2.0 (18)	3.4 (30)
E6-10E-240R-50	2.7 (24)	4.5 (40)

Other options available. For complete details on variety, part numbers, installation and specification, go to



www.southco.com/E6

Dimensions in millimeters (inch) unless otherwise stated

southco[®]
CONNECT · CREATE · INNOVATE



E6 Hinge

Position control · Constant torque

- Holds in every position
- No adjustment required
- Long cycle life

Material and Finish

Aluminum alloy, black powder coated

Performance Details

Cycle performance: 20,000 cycles within $\pm 20\%$ of static torque specification

Radial load:

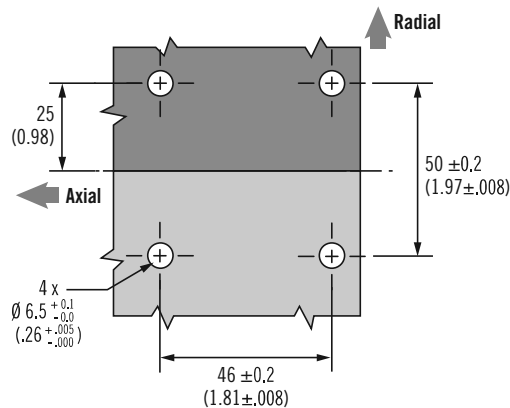
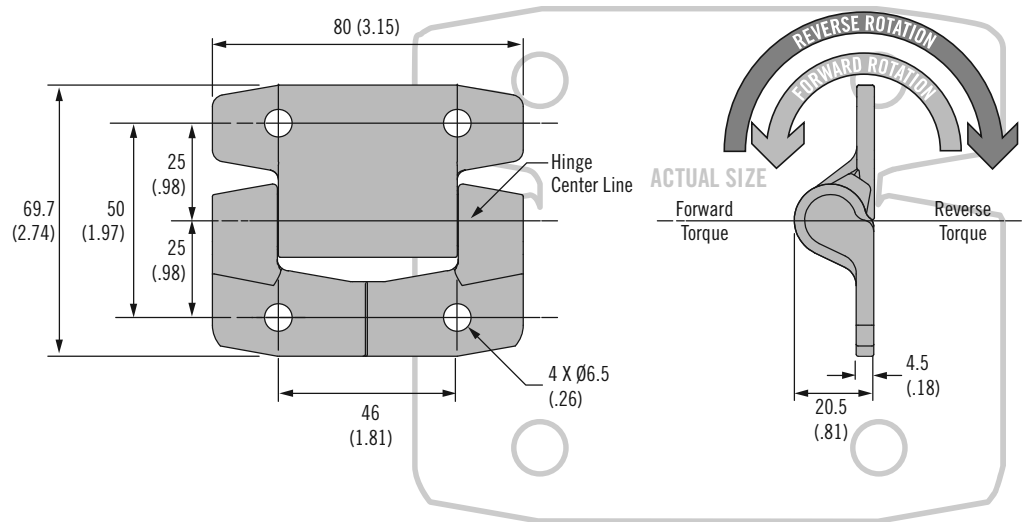
Max. static load: 2,000 N (450 lbf)

Average ultimate load:
10,500 N (2,360 lbf)

Axial load:

Max. static load: 500 N (110 lbf)

Average ultimate load:
9,000 N (2,023 lbf)



Asymmetric

Part Number	Forward Torque N·m (in·lbf)	Reverse Torque N·m (in·lbf)
E6-10-620F-50	2.3 (20.0)	1.7 (14.9)
E6-10-635F-50	3.9 (35.0)	3.0 (26.7)
E6-10-650F-50	5.7 (50.0)	4.0 (35.7)
E6-10-665F-50	7.3 (65.0)	5.4 (47.5)
E6-10-680F-50	9.0 (80.0)	6.7 (59.4)
E6-10-695F-50	10.7 (95.0)	7.8 (68.9)
E6-10-6110F-50	12.4 (110.0)	9.0 (79.8)
E6-10-620R-50	1.7 (14.9)	2.3 (20.0)
E6-10-635R-50	3.0 (26.7)	3.9 (35.0)
E6-10-650R-50	4.0 (35.7)	5.7 (50.0)
E6-10-665R-50	5.4 (47.5)	7.3 (65.0)
E6-10-680R-50	6.7 (59.4)	9.0 (80.0)
E6-10-695R-50	7.8 (68.9)	10.7 (95.0)
E6-10-6110R-50	9.0 (79.8)	12.4 (110.0)

Symmetric

Part Number	Symmetric Torque N·m (in·lbf)
E6-10-620S-50	2.3 (20.0)
E6-10-635S-50	3.9 (35.0)
E6-10-650S-50	5.7 (50.0)
E6-10-665S-50	7.3 (65.0)
E6-10-680S-50	9.0 (80.0)

Part Number

See table

Other options available. For complete details on variety, part numbers, installation and specification, go to



www.southco.com/E6

Dimensions in millimeters (inch) unless otherwise stated

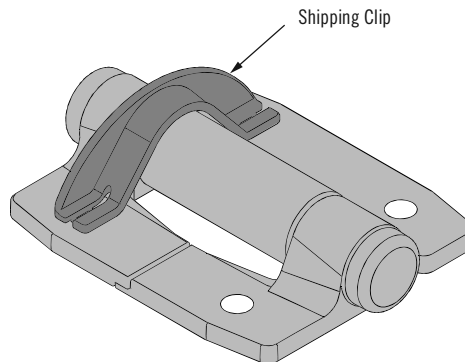
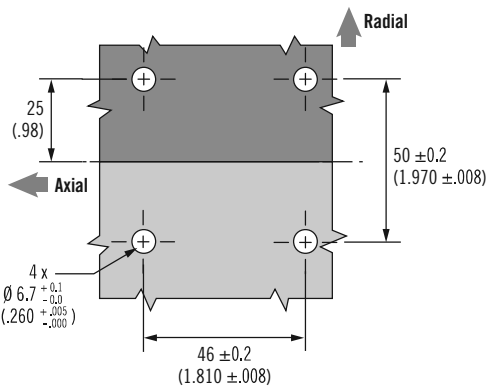
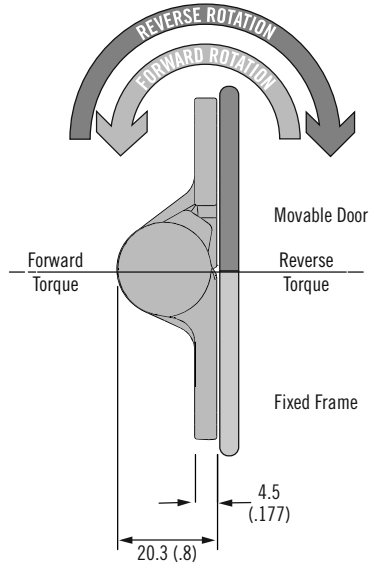
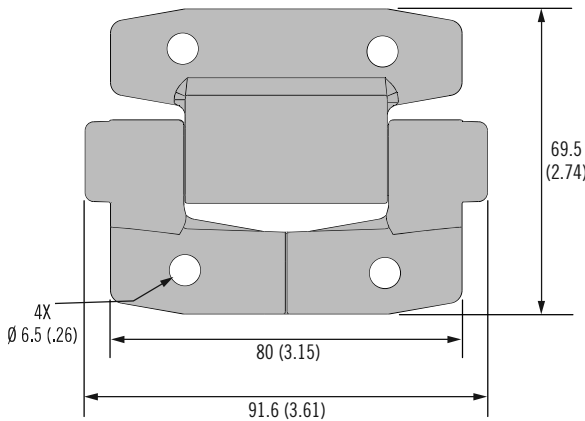
southco[®]
CONNECT · CREATE · INNOVATE

E6 Hinge

Position Control · Constant Torque · One Way



328A



- Holds in every position
- No adjustment required
- Long cycle life
- Minimal resistance in free direction

Material and Finish

Aluminum alloy, black powder coated

Performance Details

Cycle performance: 20,000 Cycles, see trade drawing for details

Radial load:

Max. static load: 2000 N (450 lbf)

Average ultimate load:

3500 N (780 lbf)

Axial load:

Max. static load: 500 N (110 lbf)

Average ultimate load:

6000 N (1300 lbf)

Installation Notes

Do not remove shipping clip until hinge is secured by first pair of screws. Discard or recycle shipping clip when removed.

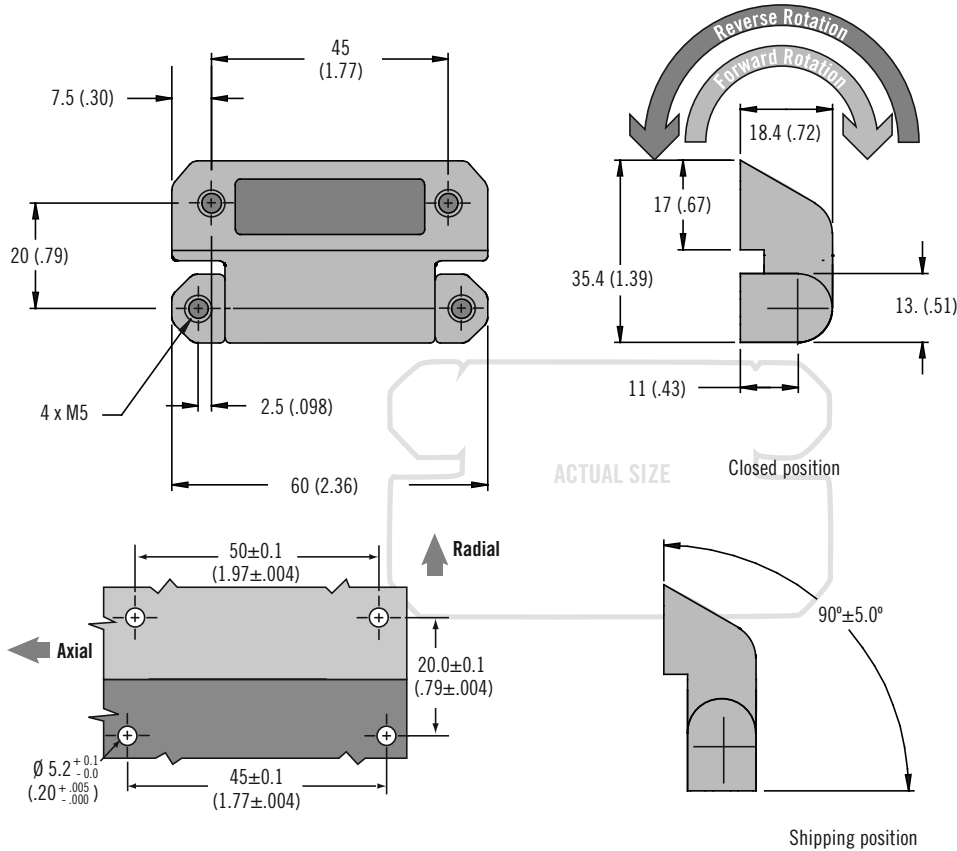
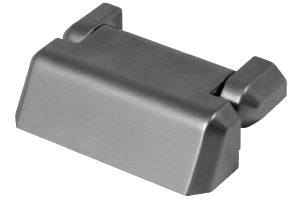
Part Number

See table

Part Number	Forward Torque N·m (in·lbf)	Reverse Torque N·m (in·lbf)
E6-10-620F0-50	2.3 (20)	Free
E6-10-635F0-50	3.9 (35)	Free
E6-10-650F0-50	5.7 (50)	Free
E6-10-665F0-50	7.3 (65)	Free
E6-10-680F0-50	9.0 (80)	Free
E6-10-695F0-50	10.7 (95)	Free
E6-10-6110F0-50	12.4 (110)	Free
E6-10-620R0-50	Free	2.3 (20)
E6-10-635R0-50	Free	3.9 (35)
E6-10-650R0-50	Free	5.7 (50)
E6-10-665R0-50	Free	7.3 (65)
E6-10-680R0-50	Free	9.0 (80)
E6-10-695R0-50	Free	10.7 (95)
E6-10-6110R0-50	Free	12.4 (110)

E6 Hinge

Position control · Constant torque



- Holds in every position
- No adjustment required
- Long cycle life

Material and Finish

Zinc alloy body with hardened steel internal components

Performance Details

20,000 cycles within ±20% of static torque specification

Installation Notes

Screws not supplied

Calculate screw length using the following formula:

Door thickness + 6 (.236)

Symmetric

Part Number		Symmetric Torque N·m (in·lbf)
Black	Satin Chrome	
E6-60-400-50	E6-60-400-20	Free operating
E6-60-412S-50	E6-60-412S-20	1.36 N·m (12 in·lbf)
E6-60-420S-50	E6-60-420S-20	2.26 N·m (20 in·lbf)
E6-60-428S-50	E6-60-428S-20	3.16 N·m (28 in·lbf)
E6-60-436S-50	E6-60-436S-20	4.07 N·m (36 in·lbf)

Asymmetric

Part Number		Forward Torque N·m (in·lbf)	Reverse Torque N·m (in·lbf)
Black	Satin Chrome		
E6-60-420F-50	E6-60-420F-20	2.3 (20)	1.4 (12)
E6-60-428F-50	E6-60-428F-20	3.2 (28)	1.9 (16.8)
E6-60-436F-50	E6-60-436F-20	4.1 (36)	2.4 (21.6)
E6-60-444F-50	E6-60-444F-20	5 (44)	3 (26.4)
E6-60-420R-50	E6-60-420R-20	1.4 (12)	2.3 (20)
E6-60-428R-50	E6-60-428R-20	1.9 (16.8)	3.2 (28)
E6-60-436R-50	E6-60-436R-20	2.4 (21.6)	4.1 (36)
E6-60-444R-50	E6-60-444R-20	3 (26.4)	5 (44)

Part Number

See table





E6 Hinge

Position control · Constant torque · Plastic

- Holds in every position
- No adjustment required
- Long cycle life
- Corrosion resistant
- Multiple mounting options
- Concealed mounting hardware

Material and Finish

40 Series: Nylon, black, stainless steel
 50 Series: Nylon, steel, anodized aluminum

Performance Details

Cycle performance
 20,000 cycles, see trade drawing for details

Radial load:

Max. static load: 200 N (45 lbf)

Average ultimate load: 1500 N (335 lbf)

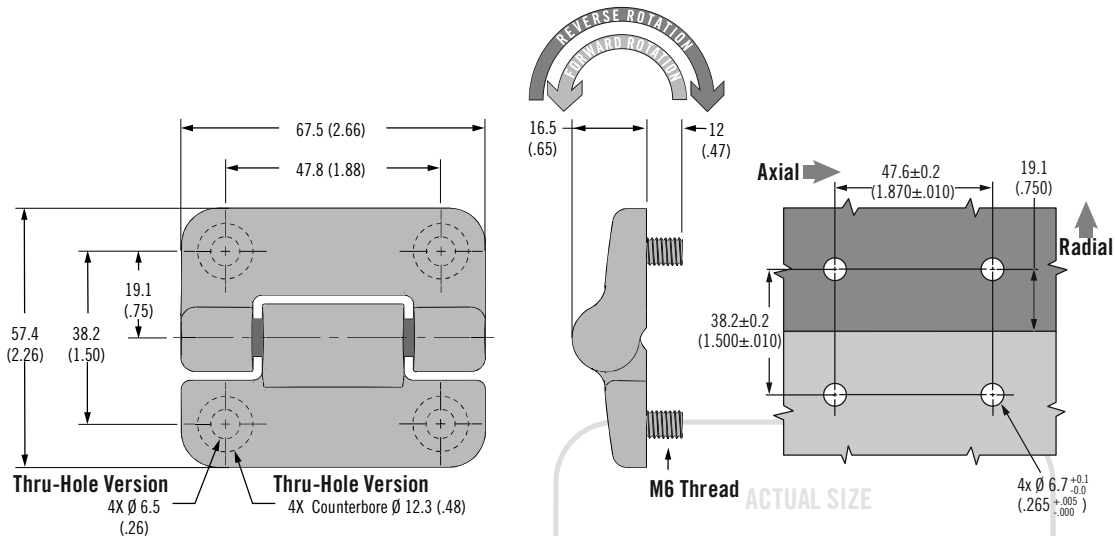
Axial load:

Max. static load: 200 N (45 lbf)

Average ultimate load: 2500 N (560 lbf)

Part Number

See table



40 Series: Simplified torque mechanism providing a single, standard operating effort

Part Number		
Thru-Hole Mounting	Thread Stud Mounting	Symmetric Torque N•m (in•lbf)
E6-40-537S-20	E6-45-537S-20	4.18 (37)

50 Series: Constant torque mechanism providing customizable, precise operating efforts

Symmetric Torque Versions		
Part Number		Static Torque (forward and reverse) N•m (in•lbf)
Thru-Hole Mounting	Thread Stud Mounting	
E6-50-535S-XX	E6-55-535S-XX	3.95 (35)
E6-50-530S-XX	E6-55-530S-XX	3.39 (30)
E6-50-525S-XX	E6-55-525S-XX	2.82 (25)
E6-50-520S-XX	E6-55-520S-XX	2.26 (20)
E6-50-515S-XX	E6-55-515S-XX	1.69 (15)

XX	Color
20	Black
10	White

Asymmetric Torque Versions			
Part Number		Forward Torque N•m (in•lbf)	Reverse Torque N•m (in•lbf)
Thru-Hole Mounting	Thread Stud Mounting		
E6-50-540F-XX	E6-55-540F-XX	4.52 (40)	3.16 (28)
E6-50-535F-XX	E6-55-535F-XX	3.95 (35)	2.77 (24.5)
E6-50-530F-XX	E6-55-530F-XX	3.39 (30)	2.37 (21)
E6-50-525F-XX	E6-55-525F-XX	2.82 (25)	1.98 (17.5)
E6-50-520F-XX	E6-55-520F-XX	2.26 (20)	1.58 (14)
E6-50-515F-XX	E6-55-515F-XX	1.69 (15)	1.19 (10.5)
E6-50-540R-XX	E6-55-540R-XX	3.16 (28)	4.52 (40)
E6-50-535R-XX	E6-55-535R-XX	2.77 (24.5)	3.95 (35)
E6-50-530R-XX	E6-55-530R-XX	2.37 (21)	3.39 (30)
E6-50-525R-XX	E6-55-525R-XX	1.98 (17.5)	2.82 (25)
E6-50-520R-XX	E6-55-520R-XX	1.58 (14)	2.26 (20)
E6-50-515R-XX	E6-55-515R-XX	1.19 (10.5)	1.69 (15)

Other options available. For complete details on variety, part numbers, installation and specification, go to



Dimensions in millimeters (inch) unless otherwise stated