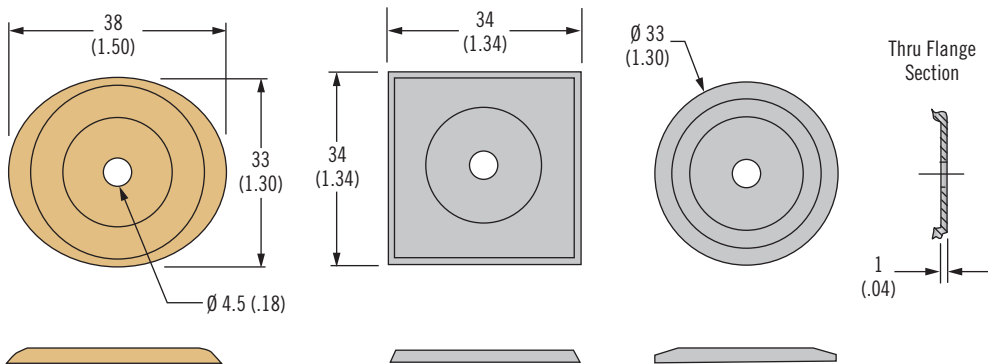
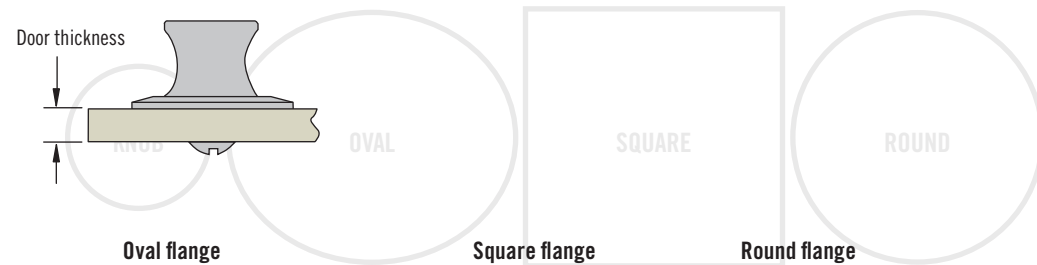
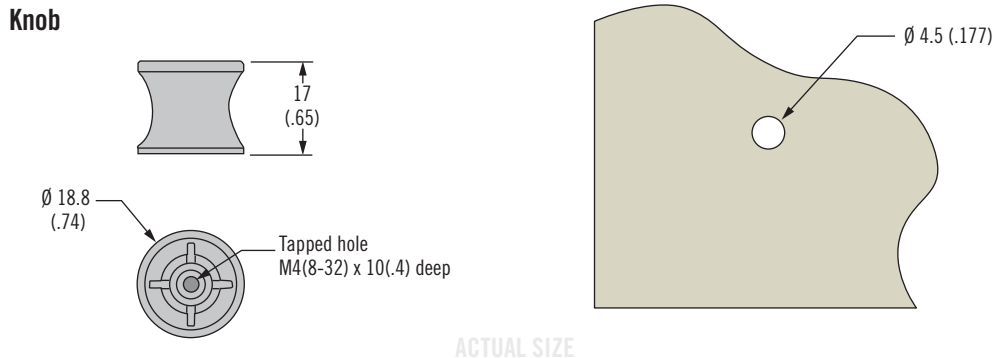


MP Point Pull

Surface mount



Knob



- Stylish knob design
- Finish and flange shape flexibility

Material and Finish

Zinc alloy, plated or powder coated

Installation Notes

Screws not supplied.

Calculate screw length using the following formula:

Door thickness + 6 (.25)

Maximum tightening torque of mounting screws: 1.7 N•m (15 in•lbf)

Style matches MP push-to-close latch on page 228

S Style

- 00 Imperial 8 -32 mounting hole
- 40 Metric M4 mounting hole

F Finish

- 10 Chrome, polished
- 20 Chrome, satin
- 30 Nickel, brushed
- 40 Diamond brass
- 50 Powder coated, black

Knob Part Number

MP - 06 - 1 **S** - **F**

Part Number Selection

Choose knob separately

S Style

- 10 Oval flange
- 20 Square flange
- 30 Round flange

F Finish

- 10 Chrome, polished
- 20 Chrome, satin
- 30 Nickel, brushed
- 40 Diamond brass
- 50 Powder coated, black

Flange Part Number

MP - 06 - 1 **S** - **F**

Part Number Selection