



# P1 Flush Pull

Low profile · Lift or pull · Single hole mount

- Easy installation
- Deep pocket

### Material and Finish

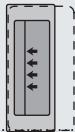
Pull and cup: ABS plastic, black  
Screws: Steel, zinc plated

### Performance Details

Maximum static load:  
Lifting / pulling: 1300 N (300 lbf)



Pushing / sliding: 450 N (100 lbf)



Flammability rating:  
UL94-HB or UL94-V0 (See table)

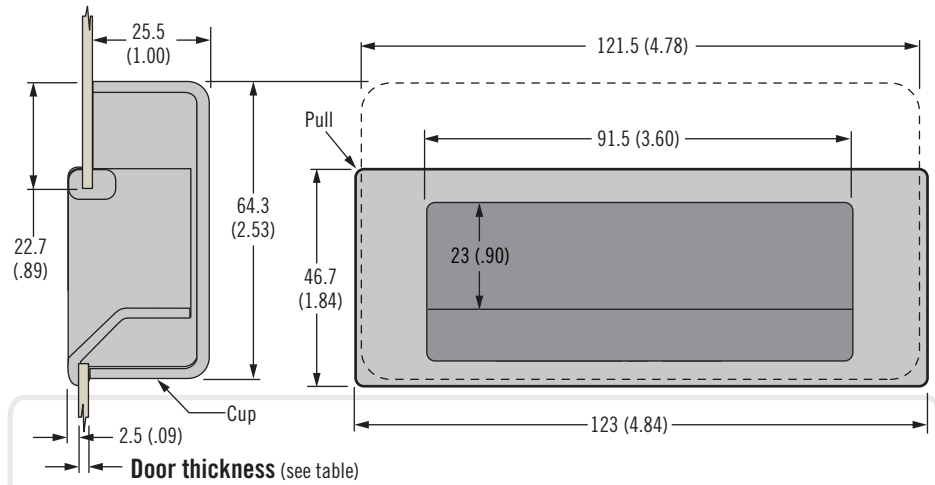
Operating temperature range:  
-50°C (-60°F) to 60°C (140°F)

### Installation Notes

Mounting screws supplied.  
Door thickness less than the minimum for each range allows some movement of the pull.  
Maximum torque for mounting screws is 0.5 N·m (5 in·lbf)

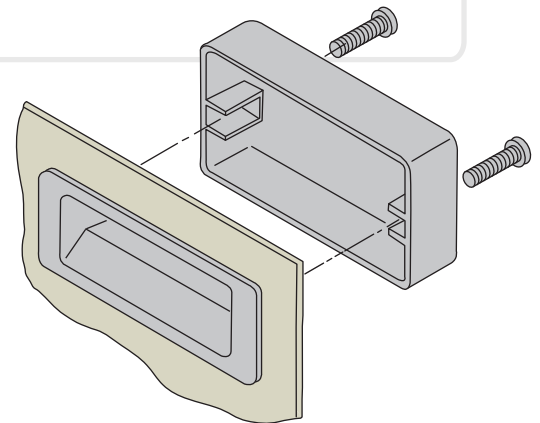
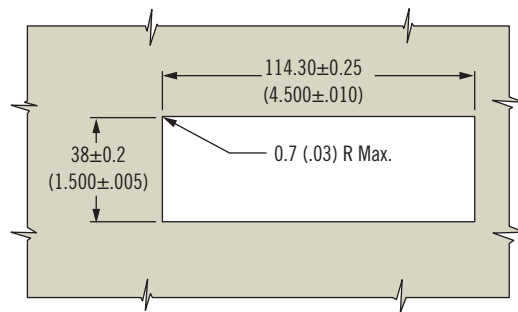
### Part Number

See table



ACTUAL SIZE

Two No. 6 BT thread forming screws (supplied)



Door Thickness Range		Part Number	
Min.	Max.	UL94-HB	UL94-V0
1.0 (.040)	1.8 (.070)	P1-30-101-11	P1-31
1.8 (.070)	3.3 (.130)	P1-30-103-11	P1-33
3.3 (.130)	4.8 (.190)	P1-30-105-11	P1-35
4.8 (.190)	6.3 (.250)	P1-30-107-11	P1-37

Other options available. For complete details on variety, part numbers, installation and specification, go to



[www.southco.com/P1](http://www.southco.com/P1)

Dimensions in millimeters (inch) unless otherwise stated