



# E5 Cam Latch Low Profile

Zinc · Tool or hand operated · Fixed grip

- Single hole install
- Latched / unlatched indicator
- Shipped fully assembled
- EN 45545-3 E10 Compliant

### Material and Finish

Zinc alloy, powder coated or chrome plated and steel, zinc plated

### Performance Details

Maximum static load: 330 N (74 lbf)

### Installation Notes

Mounting nut  
Maximum tightening torque:  
10 N·m (88 in·lbf)

### Keys and Accessories

See page 120 and 169-175

### Part Number Selection

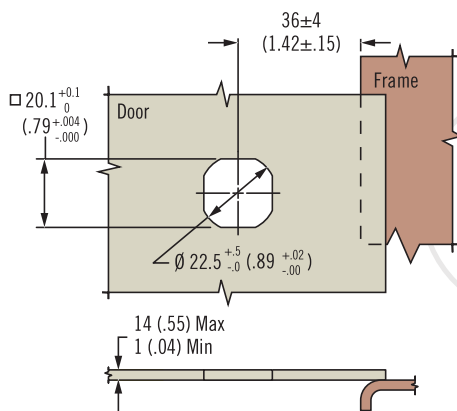
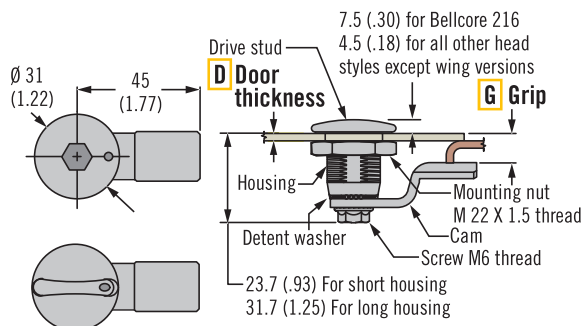
See table

Latch is shipped fully assembled

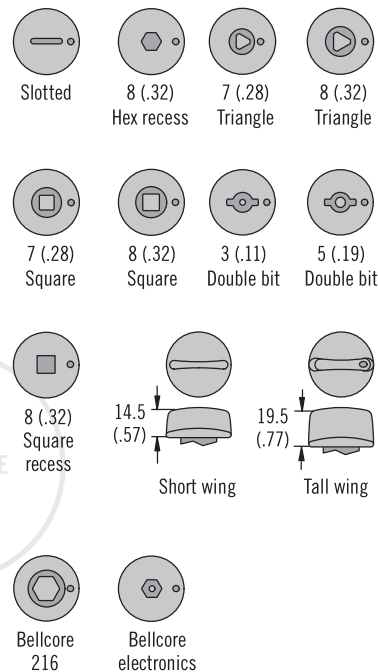
For door thicknesses

1 - 6 (.039 - .236) grip must exceed door thickness by 4 (.157) for assembled installation

When sealing option is selected, add 0.4 (.02) to grip calculation to accommodate sealing washer



### H Head Styles



### H Head style

- 00 Slotted
- 01 8 (.32) Hex recess
- 02 7 (.28) Triangle
- 03 8 (.32) Triangle
- 04 7 (.28) Square
- 05 8 (.32) Square
- 06 3 (.11) Double bit
- 07 5 (.19) Double bit
- 08 8 (.32) Square recess
- 11 Short wing
- 12 Tall wing
- 13 Bellcore 216
- 19 Bellcore Electronics

### F Finish

- 1 Textured chrome
- 5 Black powder coated

### S Sealing option

- 0 No o-ring or external seal
- 1 O-ring and external seal to meet NEMA 4/IP65 standards

**E5 - D - H F - G S**

### D Door thickness range

- 1 1 - 6 (.039 - .236) (short housing supplied)
- 2 1 - 14 (.039 - .551) (long housing supplied)

### G Grip table

G	Grip		G	Grip		G	Grip		G	Grip	
	Short housing	Long housing		Short housing	Long housing		Short housing	Long housing		Short housing	Long housing
00	Do not use	6 (.24)	05	8 (.31)	16 (.63)	10	18 (.71)	26 (1.02)	15	28 (1.10)	36 (1.42)
01	Do not use	8 (.31)	06	10 (.39)	18 (.71)	11	20 (.79)	28 (1.10)	16	30 (1.18)	38 (1.50)
02	2 (.08)	10 (.39)	07	12 (.47)	20 (.79)	12	22 (.87)	30 (1.18)	17	32 (1.25)	40 (1.57)
03	4 (.16)	12 (.47)	08	14 (.55)	22 (.87)	13	24 (.94)	32 (1.25)	18	34 (1.34)	42 (1.65)
04	6 (.24)	14 (.55)	09	16 (.63)	24 (.94)	14	26 (1.02)	34 (1.34)	19	36 (1.42)	44 (1.73)

If grip falls between two choices, use the smaller option  
Dimensions in millimeters (inch) unless otherwise stated