



E5 Cam Latch

Zinc · Flush cup wing style · Hand operated · Fixed grip

- Low profile
- Multiple key code options

Material and Finish

Zinc alloy, powder coated and steel, zinc plated

Performance Details

Maximum static load: 330 N (74 lbf)

Installation Notes

Mounting nuts 10-24 UNC (supplied)

Maximum tightening torque: 3 N·m (25 in·lbf)

Screw maximum tightening torque: 5 N·m (45 in·lb)

Keys

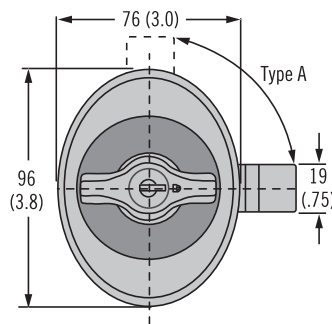
See page 120 and 169-175

Notes

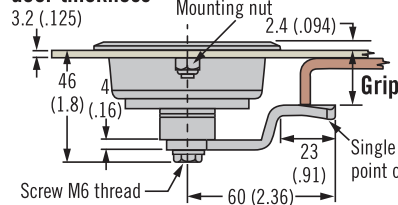
Two point push-to-close action: Internal spring causes return of wing knob and actuator to original latched position when wing knob is released after opening. Ideal for use with cables and rotary latches.

For lock core selection and a complete overview of the *SOUTHCO*® Key-Choice System see page 190

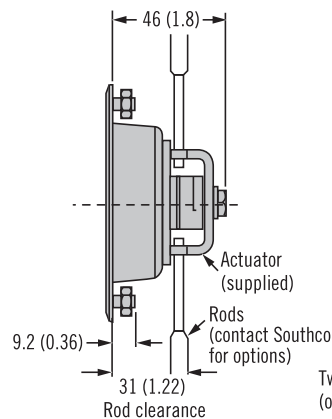
Single Point



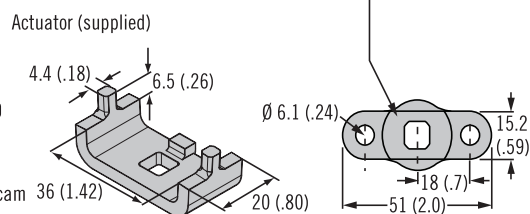
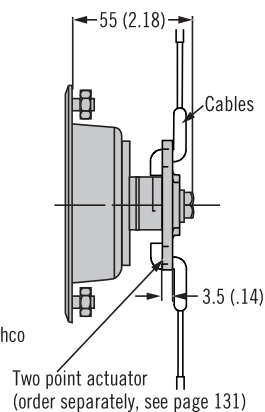
Maximum door thickness



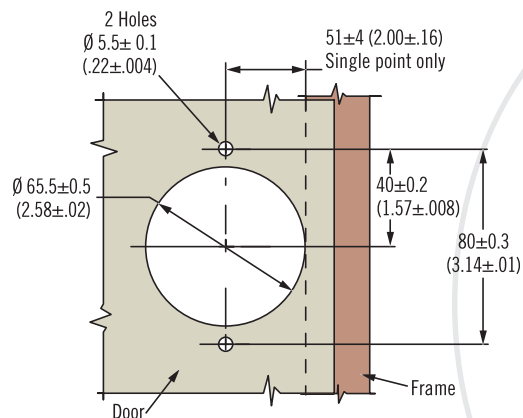
Two Point (for use with rods)



Two Point Push-to-Close Action (spring-loaded)

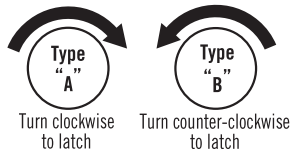


Type A (reverse frame for type B)

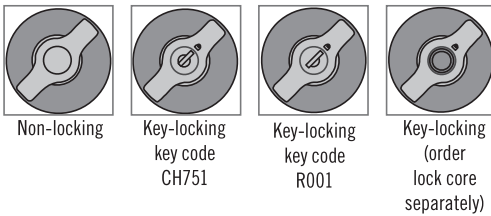


ACTUAL SIZE

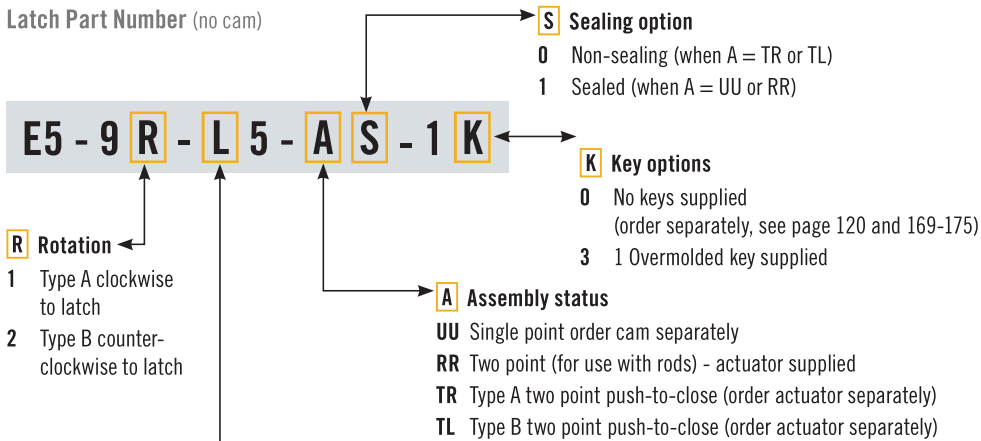
R Rotation



L Lock Styles



Latch Part Number (no cam)



Cam Part Number Table (order separately from latch)

Grip	Part Number	Grip	Part Number
22.7 (.89)	E5-6603	30.7 (1.21)	E5-6607
24.7 (.97)	E5-6604	32.7 (1.29)	E5-6608
26.7 (1.05)	E5-6605	34.7 (1.37)	E5-6609
28.7 (1.13)	E5-6606	36.7 (1.44)	E5-6610

If grip falls between two choices, use the smaller option
Dimensions in millimeters (inch) unless otherwise stated

Part Number Selection

See table

Single point

Order latch and cam separately

Two point (for use with rods)

Order latch only
(two point actuator supplied)

Two point push-to-close action (spring loaded)

Order latch and actuator separately.
Actuator part number A5-91-201-11, see page 172 for details.
To be used with *SOUTHCO*® R4 rotary series latches and cables see page 322.

