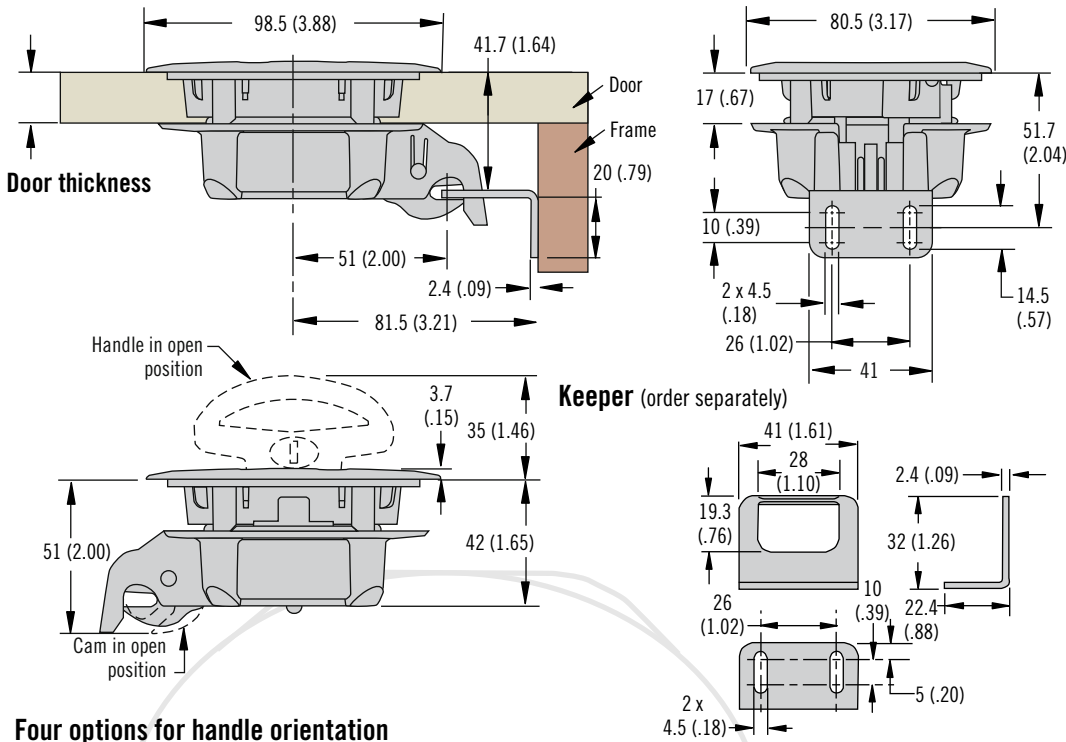


R4 Push-to-Close Latch

Lift-to-open · Flush



- Lift-to-open
- Single hole installation
- Rotary latching

Material and Finish

Glass reinforced nylon and acetal, black

Performance Details

Max. working load: 290 N (65 lbf)

Operating temperature range:
-20°C (0°F) to 65°C (150°F)

Flammability rating: UL94-HB

Installation Notes

Max. tightening torque on mounting screws 1.4 N·m (12.4 in·lbf)

Accessories

Flat key, keyed alike R001
(2 keys per ring)

Part number: PK-10-01-KR001



Keeper: Part number R4-64-11

Mounting screws (replacement):
Recessed T15 TORX® / Slot
M4.2 x 1.4:

Part number: M1-0-33211-24 or
R4-0-51779-24

Part Number Selection

Order latch, keeper and spacers separately

See table for spacer width and number required by door thickness

L Lock-style
 0 Non-locking
 1 Key-locking keyed alike R001 (2 keys supplied)

D Door Thickness
 0 1 to 23.9 (.04 to .94)
 1 24 to 27 (.94 to 1.1)

F Finish upper housing
 5 Black
 7 White

F Finish lower housing
 5 Black
 7 White

R4 - 60 - 2 L D - F F

Part Number	Spacer Thickness	Door Thickness					
		1 - 4.9 (.04 - .19)	5 - 9.9 (.19 - .39)	10 - 14.9 (.39 - .59)	15 - 19.9 (.59 - .78)	20 - 23.9 (.78 - .94)	24 - 27.9 (.94 - 1.1)
Part Number R4-64-13-1 Spacers Required	4 (.16)	0	1	0	1	0	0
Part Number R4-64-13-2 Spacers Required	8 (.31)	2	1	1	0	0	0

