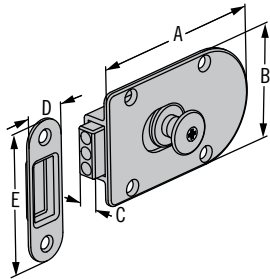


# M5 Transom Door Latches

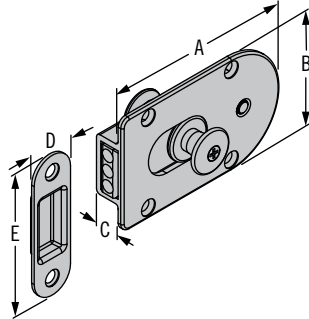
## Stainless Steel



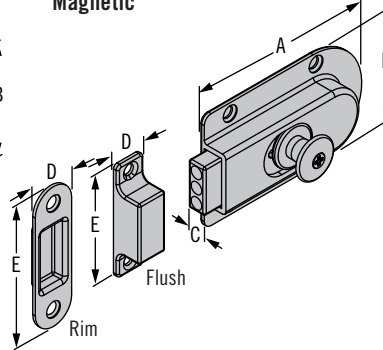
**Transom Door Latch Magnetic**



**Double Knob Transom Door Latch Magnetic (with lock)**



**Oval Single Side Transom Door Latch Magnetic**



**All latches feature:**

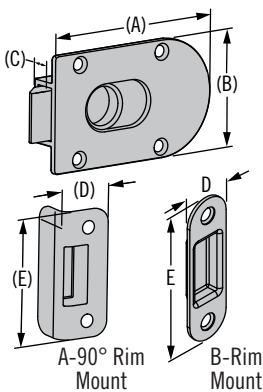
- Designed for 12mm (1/2") doors
- Features an adjustable slide bolt
- Comes with striker (magnetic)
- Screws not included
- Locking and Non-locking versions

**Material and Finish**

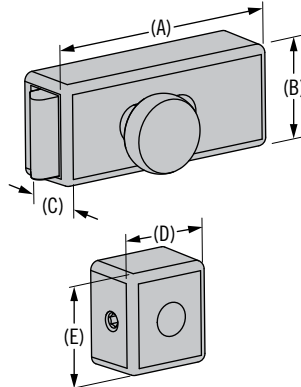
Housing: 316 Stainless steel

Name	Part Number	Striker Part Number	(A) mm (inch)	(B) mm (inch)	(C) mm (inch)	(D) mm (inch)	(E) mm (inch)
Transom door latch magnetic	M5-60-101-8 (non-locking)	M5-C-305-8	90 (3.50)	55 (2.19)	9.3 (.38)	21 (.88)	70 (2.75)
	M5-60-111-8 (locking)						
Double knob transom door latch - magnetic (with lock)	M5-60-152-8	M5-C-305-8	91 (3.56)	56 (2.22)	9 (.34)	21 (.88)	70 (2.75)
Oval single side transom door latch - magnetic	M5-60-201-8	M5-C-801-8 (Flush striker)	91 (3.56)	56 (2.22)	9 (.34)	15 (.63)	70 (2.75)
	M5-60-305-8	M5-C-305-8 (Rim striker)				21 (.88)	

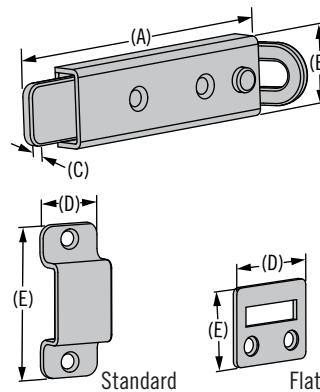
**Transom Latch Spring Bolt (flush)**



**Transom Latch Spring Bolt (surface)**



**Transom Latch Spring Bolt - Heavy Duty**



	Part Number	Model	A	B	C	D	E
Transom Latch Spring Bolt (flush)	M5-60-302-8	Single side	91 (3.63)	56 (2.25)	9 (.38)	x	x
	M5-60-309-8	Double side	91 (3.63)	56 (2.25)	9 (.38)	x	x
Strikers	M5-C-301-8	A	x	x	x	22 (.87)	56 (2.25)
	M5-C-304-8	B				22 (.87)	70 (2.25)
Transom Latch Spring Bolt (surface)	M5-60-451-8	Striker included	72 (2.75)	30 (1.19)	20 (.75)	27 (1.06)	30 (1.19)
Transom Latch Spring Bolt Heavy Duty	M5-60-205-8	Flat	137 (5.41)	32 (1.25)	5 (.19)	38 (1.5)	32 (1.25)
	M5-60-206-8	Standard				25 (.98)	60 (2.36)

Other options available. For complete details on variety, part numbers, installation and specification, go to



[www.southco.com/M5](http://www.southco.com/M5)