



# ME Offshore Swing Door Latch

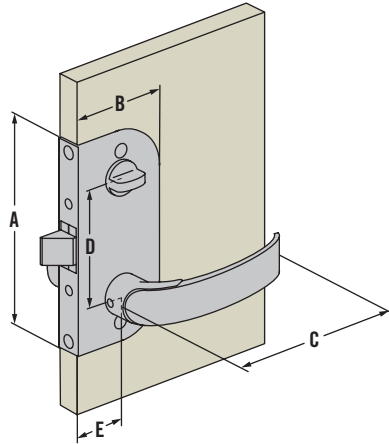
Flush, key locking and privacy

- Offshore is available for both mortise- and flush-mount installations.
- All marine-grade materials for corrosion resistance
- Offshore flush-mount is designed to fit thinner doors (from 12.7mm / 1/2")
- Interior Privacy Lock with exterior override

## Material and Finish

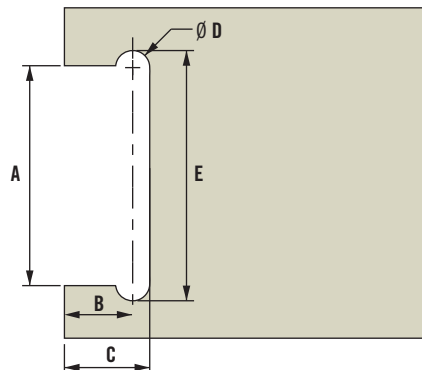
Lock engine: Aluminum  
 Handles, escutcheons finish: chrome, aluminum and black  
 Privacy: Acetal

## Flush Privacy Locking



	Imperial		Metric
	Nominal	Decimal	
A	4 37/64	4.59	116.5
B	2 5/32	2.17	55
C	3 15/16	3.94	100
D	2 7/16	2.44	62
E	1 3/16	1.18	30

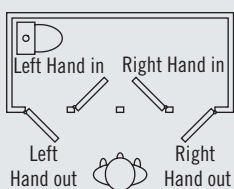
## Panel Preparation



	Imperial		Metric
	Nominal	Decimal	
A	3 21/32	3.65	93
B	1 3/32	1.09	28
C	1 21/32	1.65	42
D	1 3/32	1.09	28
E	4 1/32	4.00	102

## Part Number Selection

### D Directional Door Swing:



ME - 01 - **D** **L** **T** - **FF**

- D** Directional
- 2 Right Out
  - 3 Right In
  - 4 Left Out
  - 5 Left In

- L** Locking Option
- 0 Privacy
  - 1 Key Locking

- FF** Finish
- 10 Chrome
  - 50 Black
  - 60 Aluminum

- T** Door Thickness
- 0 12.5 - 15mm (1/2" - 5/8")
  - 1 14.5 - 17mm (9/16" - 11/16")
  - 2 17 - 19mm (11/16" - 3/4")
  - 3 19 - 21mm (3/4" - 7/8")

For strikers see page 614

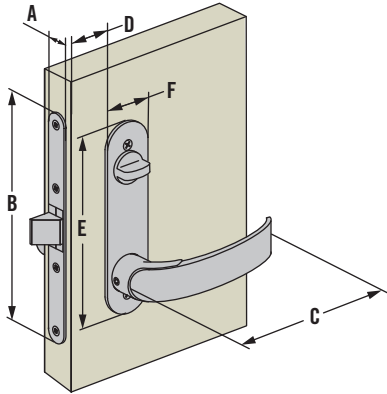


# ME Offshore Swing Door Latch

## Mortise locking



### Mortise Privacy Locking



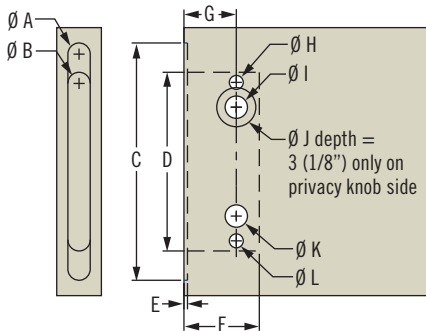
	Imperial		Metric
	Nominal	Decimal	
A	31/64	.492	12.5
B	5 5/16	5.31	135
C	3 15/16	3.94	100
D	39/64	.61	15.5
E	4 37/64	4.59	116
F	1 3/16	1.18	30

- All marine-grade materials for corrosion resistance
- Mortise mount installation
- Interior privacy lock with exterior override

### Material and Finish

Lock engine: Aluminum  
 Handles, escutcheons finish: chrome, aluminum and black  
 Privacy: Acetal

### Panel Preparation



	Imperial		Metric
	Nominal	Decimal	
A	1/2	.50	12.5
B	1/2	.50	12.5
C	5 5/16	5.31	135
D	4	4	102
E	1/16	.06	1.5
F	1 11/16	1.69	43
G	1 11/64	1.17	30
H	5/16	.31	8
I	1/2	.50	12
J	7/8	.88	22
K	1/2	.50	12
L	5/16	.31	8

### Part Number Selection

**ME - 02 - D L T - FF**

**D Directional**  
 2 Right Out  
 3 Right In  
 4 Left Out  
 5 Left In

**L Locking Option**  
 0 Privacy  
 1 Key Locking

**T Door Thickness**  
 4 18-22mm (11/16" - 7/8")  
 5 22-27mm (7/8" - 1 1/16")  
 6 27-32mm (1 1/6" - 1 1/4")  
 7 32-37mm (1 1/4" - 1 1/2")

**FF Finish**  
 10 Chrome  
 50 Black  
 60 Aluminum

For strikers see page 614

### D Directional Door Swing:

