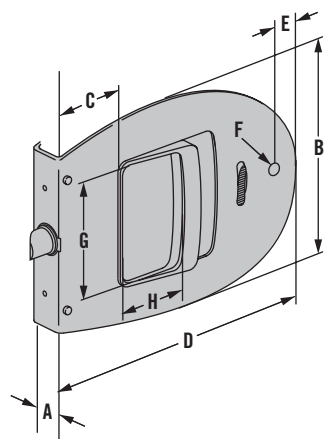
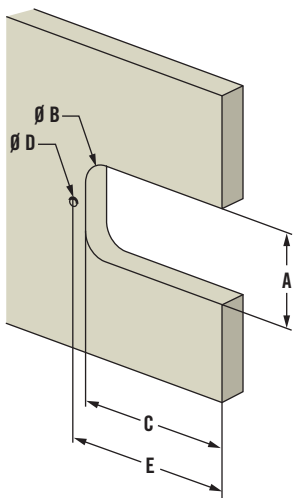


MR Omni Cabin & Cockpit Door Lock

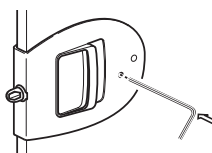


	Imperial		Metric
	Nominal	Decimal	
A	Panel Thickness		
B	6 7/16	6.42	163
C	1 9/64	1.14	29
D	4 9/16	4.57	116
E	3/8	.37	9.5
F	15/64	.24	6
G	1 13/16	1.81	46
H	1 1/32	1.02	26

Panel Preparation



How to override a locked Omni door lock from the outside



		Imperial		Metric
		Nominal	Decimal	
A	min.	2 3/16	2.19	55.6
	max.	2 1/4	2.27	57.9
B	min.	1/4	.25	6.4
	max.	9/16	.56	14
C	min.	3 13/16	3.813	96.8
	max.	3 7/8	3.875	98.4
D		1/4	.25	6.4
E		4 3/16	4.19	106.3

Omni Part Numbers						
	Spring bolt		Flat		2 step	
Door thickness (A)	Privacy	No privacy	Privacy	No privacy	Privacy	No privacy
12.7 mm (1/2)	MR-01-120-24	MR-01-100-24	MR-02-120-24	MR-02-100-24	MR-03-120-24	MR-03-100-24
16 mm (5/8)	MR-01-121-24	MR-01-101-24	MR-02-121-24	MR-02-101-24	MR-03-121-24	MR-03-101-24
19 mm (3/4)	MR-01-122-24	MR-01-102-24	MR-02-122-24	MR-02-102-24	MR-03-122-24	MR-03-102-24
Features						
Privacy	X		X	-	X	-
Adjust Spring Bolt	X	X	-	-	X	X
Bumpers (both sides)	X	X	X	X	X	X
Left and Right swing	X	X	X	X	X	X

Options

Striker Part Number	
Omni Flat	MR-90-100-10

Doorkeeper Part Numbers		
Type	White	Black
1	MR-91-101-70	MR-91-101-50
2	MR-91-102-70	MR-91-102-50

- All marine-grade materials for corrosion resistance
- Flush outer surface
- Privacy button option
- Optional doorkeeper holds door in open position

Material and Finish

Handle, housing: Acetal, black
Escutcheon: Stainless steel, polished



Omni 2-Step



Omni Flat



Omni Spring Bolt



Omni Flat Striker

Doorkeepers

Type 1



12 (1/2")

Type 2



18 (11/16")

Other options available. For complete details on variety, part numbers, installation and specification, go to



www.southco.com/MR



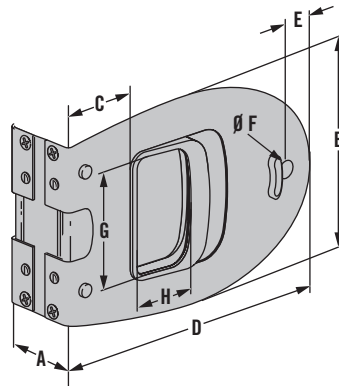
MR Omni Bob Transom Door Latch

- Easily-adjustable springbolts for left- or right-swing are included for fast conversion
- Nylon bumpers reduce vibration and prevent door rattle
- Optional doorkeeper holds door in open position

Material and Finish

Lock engine: Aluminum
 Handles, escutcheons finish: chrome, aluminum and black
 Privacy: Acetal

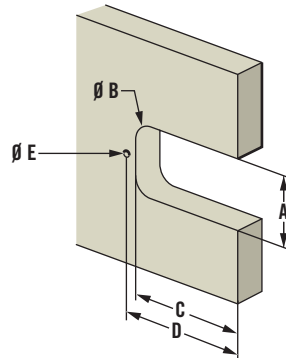
Omni Bob



	Imperial		Metric
	Nominal	Decimal	
A	Panel Thickness		
B	3 15/16	3.90	99
C	1 3/8	1.38	35
D	5 5/16	5.32	135
E	15/64	.24	6
F	15/64	.24	6
G	2 5/32	2.17	55
H	1 3/16	1.18	30

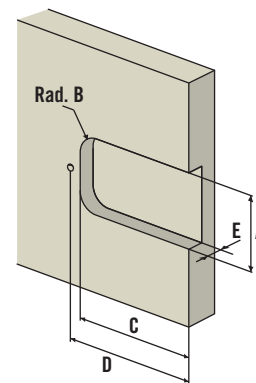
Panel Preparations

Omni Bob



	Imperial		Metric
	Nominal	Decimal	
A	2 11/16	2.67	68
B	5/8	.63	16
C	4 11/16	4.69	119
D	5 3/64	5.04	128
E	15/64	.24	6

Omni Bob Single



	Imperial		Metric
	Nominal	Decimal	
A	2 11/16	2.67	68
B	5/16	.32	8
C	4 11/16	4.69	119
D	5 3/64	5.04	128
E	25/32	.787	20

Part Number Selection

Omni Bob Part Numbers	
Door thickness range	
25 - 31 mm (1 - 1-1/4")	MR-04-106-24
30 - 36 mm (1-3/16 - 1-7/16")	MR-04-107-24
35 - 41 mm (1-3/8 - 1-5/8")	MR-04-108-24
40 - 46 mm (1-9/16 - 1-13/16")	MR-04-109-24
45 - 51 mm (1-3/4 - 2")	MR-04-1010-24

Omni Bob Single Part Numbers		
Door thickness range	Door Swing	
25 mm (1")	right out/left in	MR-05-603-24
25 mm (1")	left out/right in	MR-05-703-24

Other options available. For complete details on variety, part numbers, installation and specification, go to



Dimensions in millimeters (inch) unless otherwise stated

CABIN & COCKPIT ENTRY HARDWARE

MR Omni Pocket Cabin Door Lock

A



DOOR THICKNESS: 32mm (1-1/4") or 35mm (1-3/8")

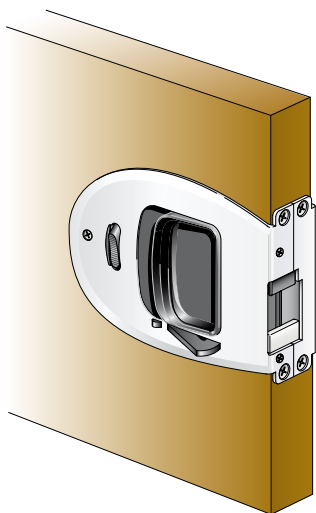
The Omni Pocket sliding-door lock is ideal for interior pocket doors and double-doors. It features an automatic latching mechanism, as well as a door-hold open feature. A hook on the forend side releases the door.

Other features include:

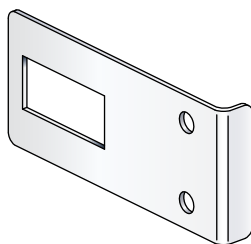
- Interior privacy button with exterior override
- Made of durable, corrosion-resistant stainless steel, ABS plastic, and aluminum
- Each assembly includes one striker and one door holder
- Only 3mm (1/8") protrusion
- Quick installation with a simple door cut-out

Available Options:

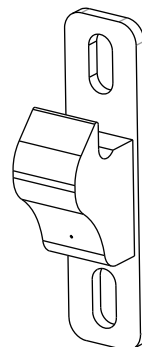
- Door Thickness: Options available for doors down to 22.2mm (7/8"). Contact Southco for details



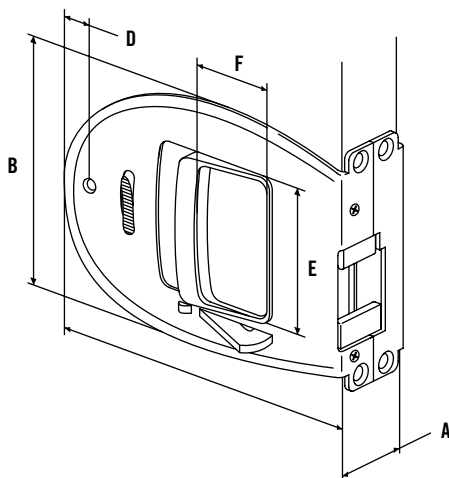
Door holder for Omni Pocket



Striker for Omni Pocket



	Imperial		Metric
	Nominal	Decimal	
A	Panel thickness		
B	3 21/32	3.661	92.5
C	4 11/16	4.685	119
D	3/8	0.375	9.5
E	2 5/32	2.157	55
F	63/64	0.984	25



OMNI POCKET PART NUMBERS		
Panel Thickness	25mm (1")	MR-06-123-24
	32mm (1 1/4")	MR-06-124-24
	35mm (1 3/8")	MR-06-125-24

