

SPRING HINGE HG-BF3-2

SUS

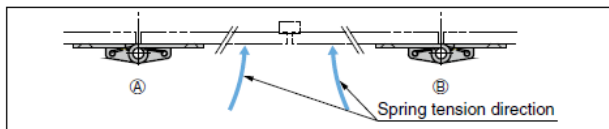


- Self-closing type (SC) and self-opening type (SO) available.
- Spring ends cannot be accessed for safety.

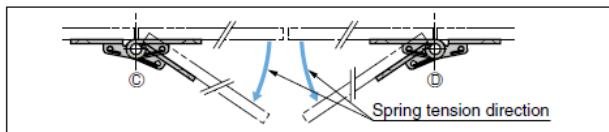
[Remarks]

- Load capacity is the value when using two hinges. For calculation conditions, please refer to INDEX **1**.

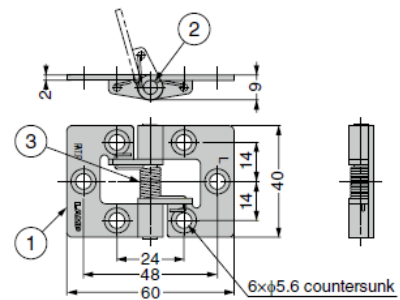
[Self-Closing Type (SC)]



[Self-Opening Type (SO)]



※(A) and (C) are marked with "L", (B) and (D) are marked with "R".



※Drawing above is HG-BF3-2L-SC.
HG-BF3-2R-SC is symmetrical.

No.	Part Name	Material	Finish
①	Body	Stainless Steel (SUS304)	Barrel Polished
②	Shaft		-
③	Spring		-

RoHS	CAD	Item Code	Item Name	No.	Description	Load Capacity N/2 pcs	Load Capacity kgf/2 pcs	Weight (g)	Box (pcs)	Carton (pcs)
CE	3D	170-091-562	HG-BF3-2L-SC	(A)	SC/Left-opening	69	7	41	20	120
CE	3D	170-091-564	HG-BF3-2R-SC	(B)	SC/Right-opening				20	120
CE	3D	170-091-561	HG-BF3-2L-SO	(C)	SO/Left-opening				20	120
CE	3D	170-091-563	HG-BF3-2R-SO	(D)	SO/Right-opening				20	120