



DM Inserts Monosert rack attach

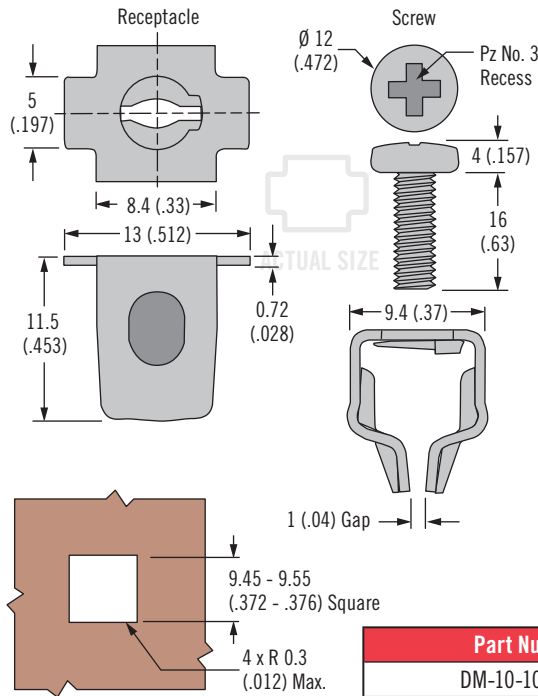
- Front install insert for rack attach applications

Material and Finish

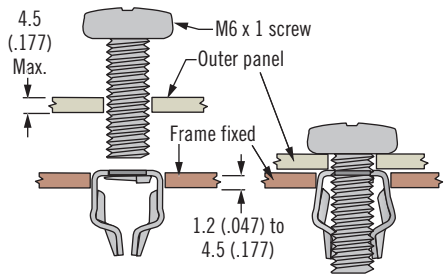
Steel, zinc plated

Installation Notes

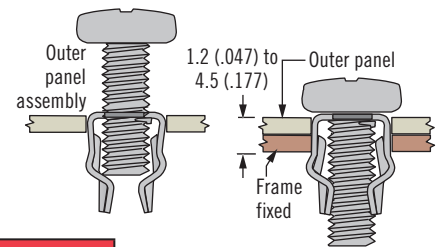
Max. tightening torque:
2 N•m (17.7 in•lbf)



Standard Installation



Alternative Installation



Part Number
DM-10-10216-10



DM Inserts Duosert rack attach

- Front install insert for rack attach applications

Material and Finish

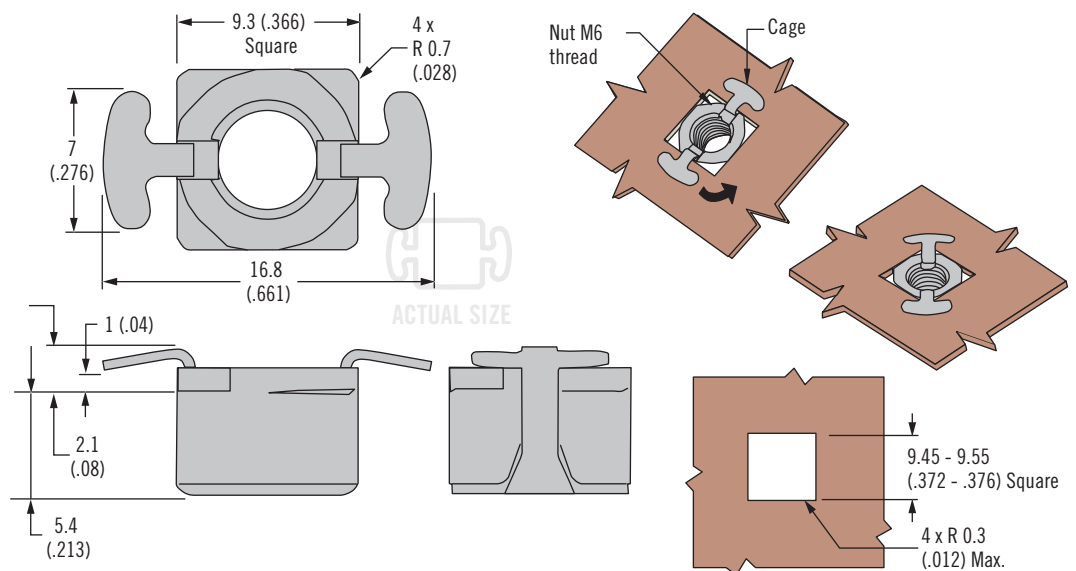
Zinc alloy and stainless steel,
natural

Installation Notes

Max. tightening torque:
10 N•m (88.5 in•lbf)

Max. panel thickness:
1 - 1.2 (.039 - .047)

Recommended installation tool
requires a flat blade screwdriver



Part Number
DM-95-10-12-11

Receptacle only. (Screw not supplied)

