

Retaining Catches· double-sided EH 24100.



Product Description

To be used for door locking, drawers and as handling aid etc.
The retaining catch is indexing 4 x 90°.

Material

Lever

- Zinc die-cast, silver, similar to RAL 9006
- Zinc die-cast, black, similar to RAL 9005

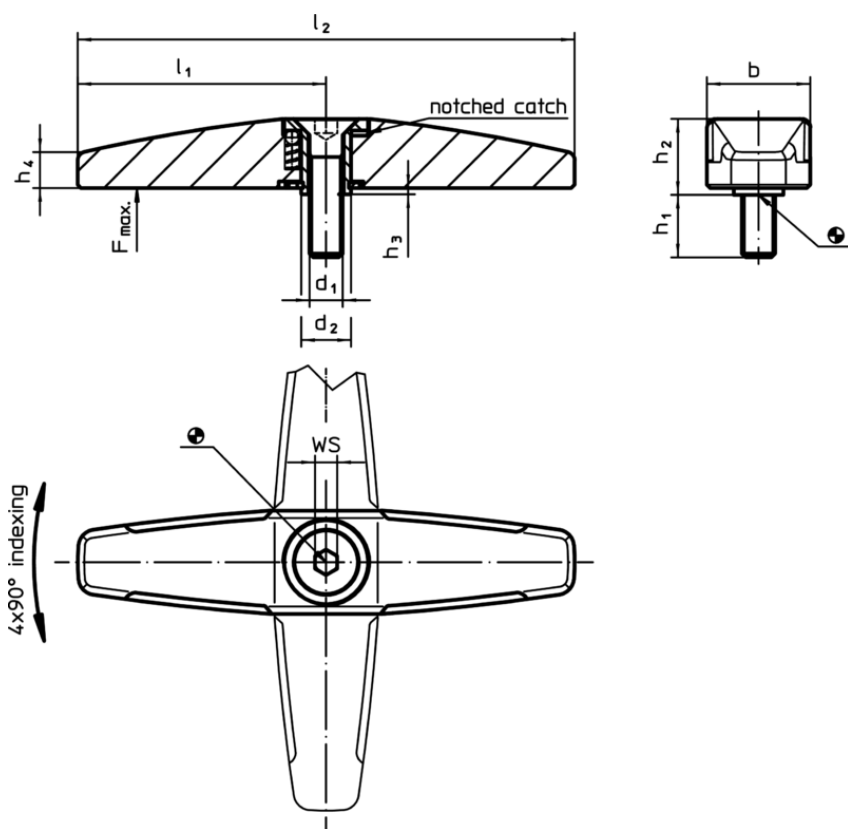
Inner parts

- Dry powdered metal

Screw

- Stainless steel A2 (ISO 10642)

Drawing



Order information

d ₁	d ₂	l ₁	l ₂	Dimensions					WS	Load capacity max.	[g]	Art. No.				
				b	h ₁	h ₂	h ₃	h ₄								
													[mm]	[N]		
silver																
M6	9	45	90	19.0	12	13.3	0.8	6.5	4	500	93	24100.0601				
M8	14	65	130	25.2	14	15.8	0.8	9.0	5	1000	220	24100.0651				
black																
M6	9	45	90	19.0	12	13.3	0.8	6.5	4	500	93	24100.0602				
M8	14	65	130	25.2	14	15.8	0.8	9.0	5	1000	220	24100.0652				

Application example

