

Retaining Catches· wing grip, one-sided

EH 24101.



Product Description

To be used for door locking, drawers and as handling aid etc.
The retaining catch is indexing $4 \times 90^\circ$.

Material

Flange

- Zinc die-cast, plastic coated, black

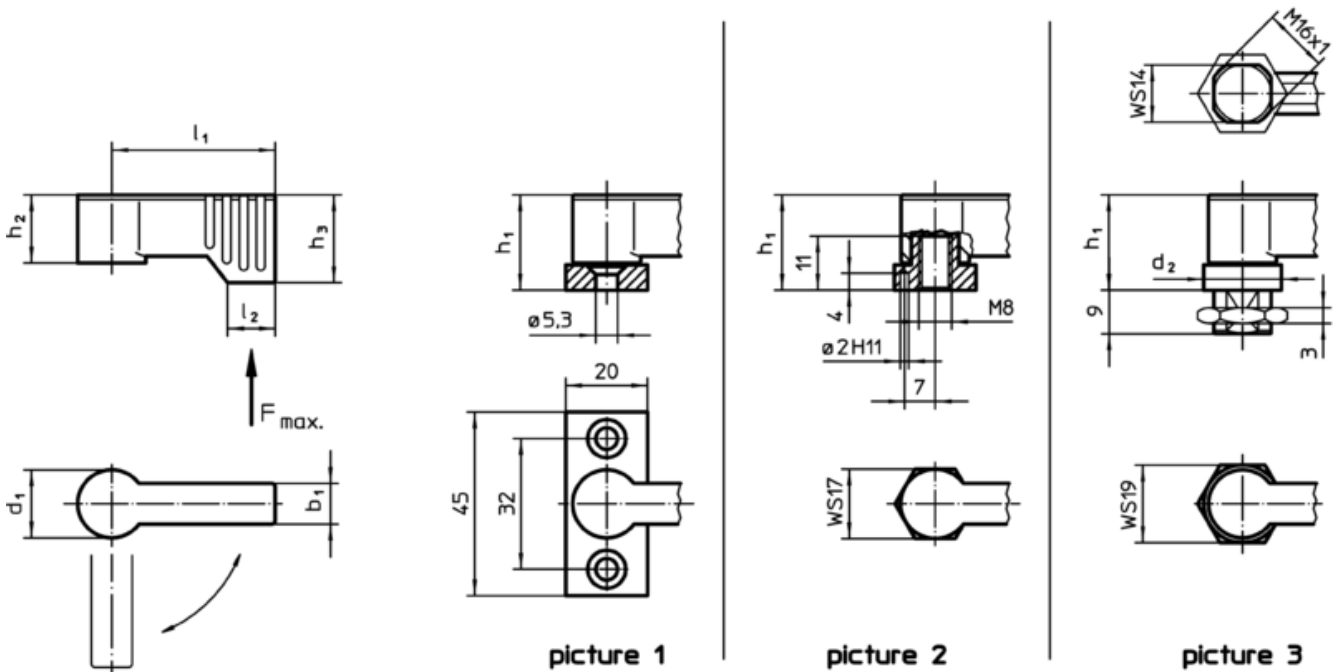
Lever

- Zinc die-cast, plastic coated, silver, similar to RAL 9006, matt structure
- Zinc die-cast, plastic coated, black, similar to RAL 9005, matt structure


Inner parts

- Zinc die-cast
- steel
- plastic

Drawing



Order information

d ₁	l ₁	b ₁	Dimensions				l ₂	Load capacity F max. [N]	 [g]	Art. No.
			d ₂	h ₁ ~ [mm]	h ₂ ~	h ₃ min.				
with mounting flange – picture 1, silver										
17	40	10	–	22	16.5	21.5	11	450	20	24101.0201
17	55	10	–	22	16.5	21.5	11	450	80	24101.0204
with mounting flange – picture 1, black										
17	40	10	–	22	16.5	21.5	11	450	20	24101.0202
17	55	10	–	22	16.5	21.5	11	450	80	24101.0203
with female thread – picture 2, silver										
17	40	10	–	22	16.5	21.5	11	450	57	24101.0231
17	55	10	–	22	16.5	21.5	11	450	64	24101.0234
with female thread – picture 2, black										
17	40	10	–	22	16.5	21.5	11	450	57	24101.0232
17	55	10	–	22	16.5	21.5	11	450	64	24101.0233
with male thread – picture 3, silver										
17	40	10	19	22	16.5	21.5	11	450	50	24101.0261
17	55	10	19	22	16.5	21.5	11	450	76	24101.0264
with male thread – picture 3, black										
17	40	10	19	22	16.5	21.5	11	450	50	24101.0262
17	55	10	19	22	16.5	21.5	11	450	76	24101.0263

Application example

