

# TORQUE HINGE (DUAL AXIS) HG-T70S30



- Dual Axis: Can hold at any angle in tilt & swivel.
- Swivels 360°.
- Able to limit swivel angle and tilt angle by inserting a screw in ※1 hole and a pin in ※2 hole shown in the figure below, respectively. (The screw and pin not included)
- Limited opening and closing angle
  - : Tilting ... 0°~120°
  - : Swivelling ... ±30°, ±90°
- Provides torque stability in both directions.

**[Specifications]**

- Operating temperature: 0°C~40°C

**[Applications]**

- LCD, monitoring camera, etc.

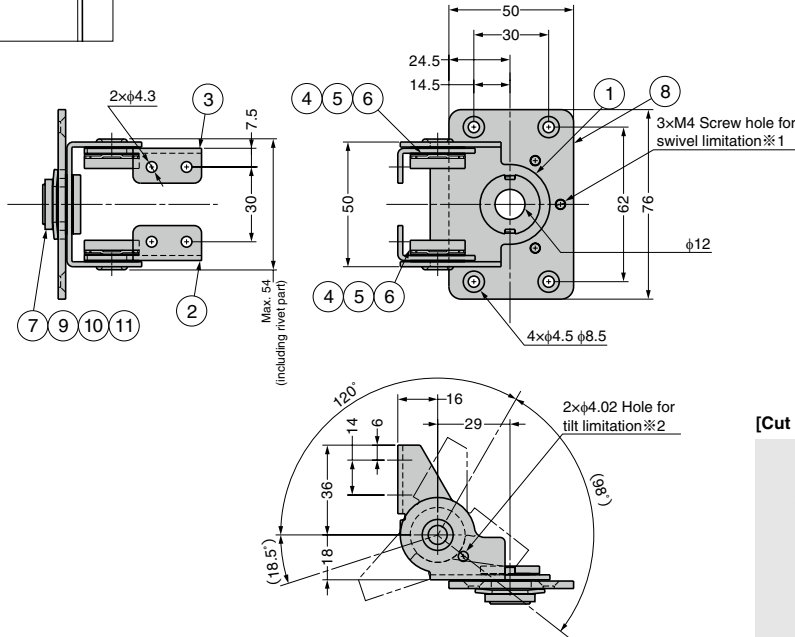
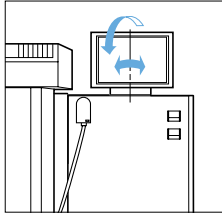
**[Remarks]**

- Be sure to read the "Cautions" 1.
- Tilt angle and swivel angle may decrease depending on the size, shape and installation method of the monitor used.
- Do not use in water splash environment.

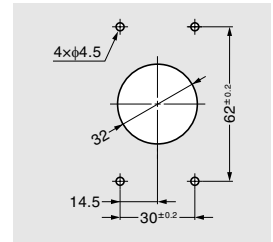
Video Link



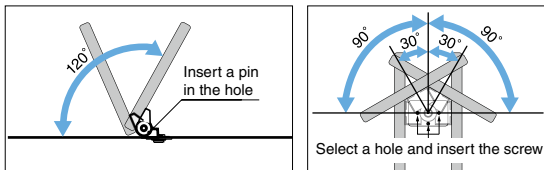
**[Application Example]**



**[Cut Out Dimensions]**



**[Angle Limitation]**



No.	Part Name	Material	Finish
①	Base		
②	Bracket L	Stainless Steel (SUS430)	Barrel Polished
③	Bracket R		
④	Spring Washer	Steel (SK85)	-
⑤	F Plate B	Bronze	
⑥	Shaft	Stainless Steel (SUS303)	-
⑦	Sleeve		
⑧	Base plate	Stainless Steel (SUS430)	Barrel Polished
⑨	F Plate	Bronze	-
⑩	Washer	Stainless Steel (SUS430)	Barrel Polished
⑪	Spring Washer	Steel	-

RHS	CAD	Item Code	Item Name	Torque N·m/pc (Tilting)	Torque kgf·cm/pc (Tilting)	Torque N·m/pc (Swivelling)	Torque kgf·cm/pc (Swivelling)	Weight (g)	Box (pcs)	Carton (pcs)
		170-012-419	HG-T70S30	7.0±20%	71.4±20%	3.0±20%	30.6±20%	229	5	40

Refer to 1 : P.15