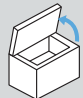


# LIFT-ASSIST DAMPER (FOR HEAVY DUTY) LADH



INSTRUCTION



Opening Direction	Item Name	Description	Non-handed	Maximum Door Moment
 Top-opening	LADH-35	Lift-assist	Yes	25-35 N · m/pc (255-357 kgf · cm/pc)
	LADH-50	Soft-close		35-50 N · m/pc (357-510 kgf · cm/pc)

- Ideal for counter flaps at bars, restaurants, and receptions.
- Smooth and soft close movement at the end, preventing flaps from slamming shut. Damper works even at a slight opening angle.
- Suitable for door moment 25-50N · m.
- Lift-assist mechanism with light opening.
- Stops flap at 95° opening with stopper.
- Installation position can be easily determined with the supplied template.
- Can be post-installed to existing counters without processing.

### [Applications]

- Counter flaps, etc.

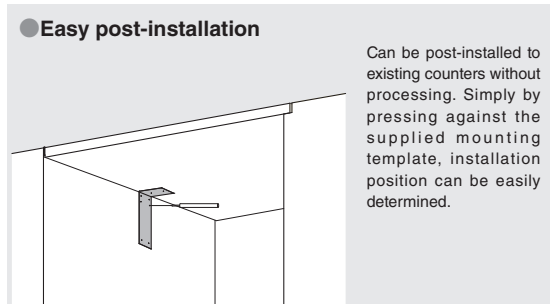
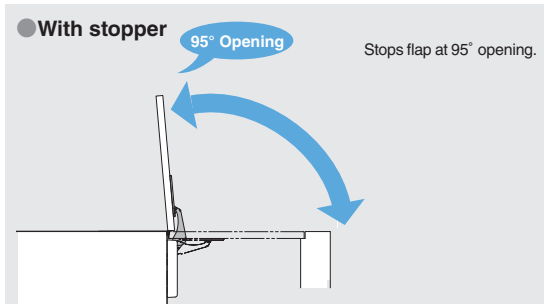
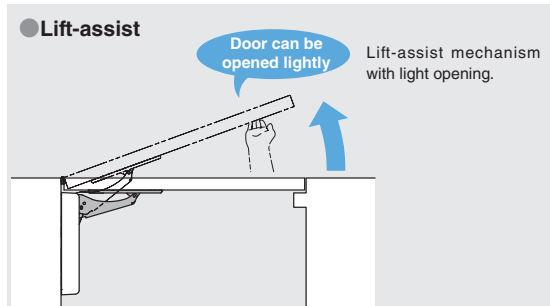
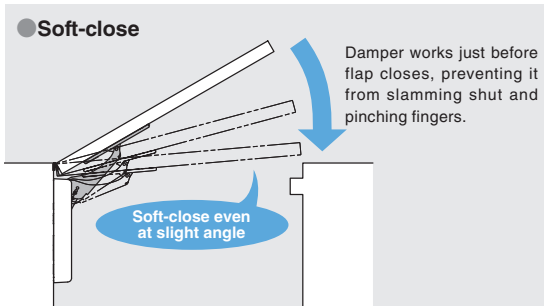
### [Remarks]

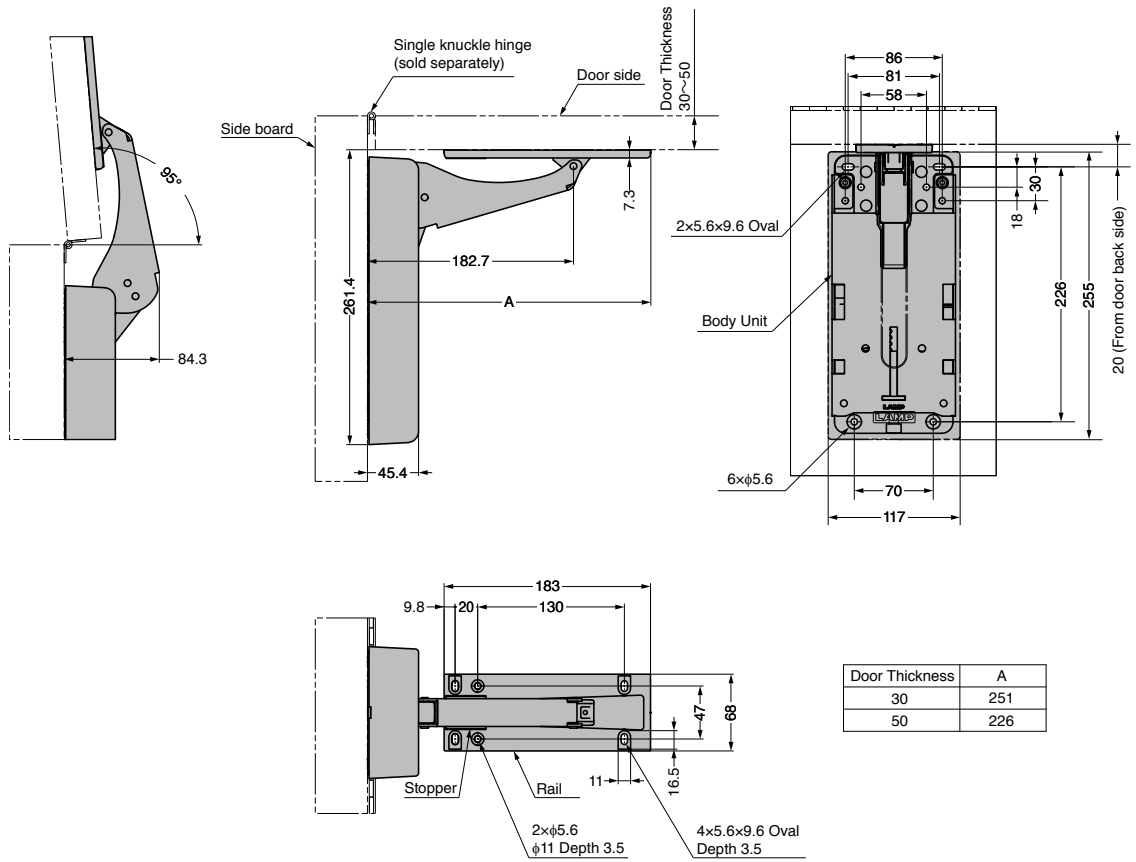
- Do not use more than 1 LADH per flap.
- Simply holds rather than fixes flap in opened position.
- Make sure to have sufficient hinge strength and installation strength at damper mounting surface and door hanging side.
- Do not use concealed hinge.
- Closed flap cannot be held with only this product. Please install a catch at the front end of flap.

### [Parts Included]

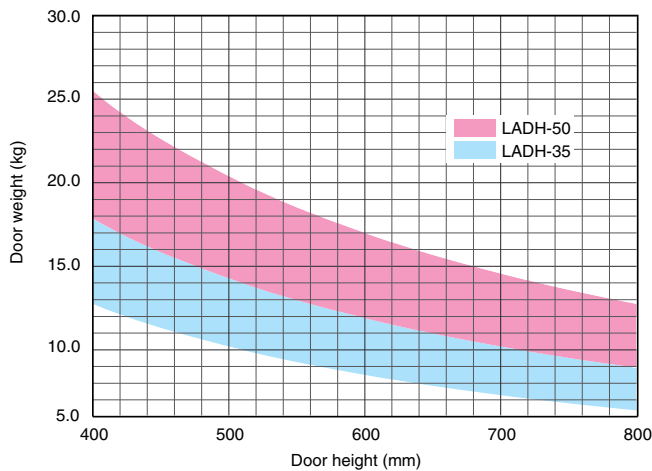
- Binding head tapping screw 5.1×25
- Paper template

### [Application Example]





[Door Size Ranges]



Refer to the left graph as a guide for model selection. When using a door with size not given here, calculate the door moment as follows. Door weight includes attached decorations.

Maximum Door Moment (N · m)  
 = Door weight (kg) × 9.80665 × Distance from rotation centre to door centre of gravity (m)

RHS	CAD	Item Code	Item Name	Material	Finish	Maximum Door Moment N·m/pc	Maximum Door Moment kgf·cm/pc	Recommended Thickness	Weight (kg)	Box (pcs)	Carton (pcs)
		170-034-868	LADH-35	Steel (SPCC)	Nickel Plating/Nickel	25-35	255-357	30-50	2	1	4
		170-034-869	LADH-50	Polyacetal (POM)/ABS	Chrome/Dark Brown	35-50	357-510			1	4