

MONOFLAT LIN-X HINGE (HEAVY DUTY)



LIN-X1000



MonoFlat LIN-X hinge®

	LIN-X1000
Door Width	750 - 1100 mm
Door Height	Max. 2980 mm
Door Thickness	24 - 40 mm
Door Weight	Max. 90 kg/Door

Features

- Unique lateral swinging movement.
- Swings out in small radius. Closes flush.
- Full access to cabinet interior: door will not get in the way when fully opened.
- Easier installation due to simplification of components.
- Free-stop: holds position at desired location within its open radius.
- Soft-closing: built-in damper slows down door near closing radius, preventing slamming.
- 4way post-installation adjustment: vertical (± 7 mm), horizontal (± 7 mm), depth (± 5 mm) and parallel ($\pm 3^\circ$).
- Good Design Show winner 2016
- Reddot Product Design winner 2017
- Passed 100,000 open/close cycles in a private test.

Parts Included

Truss head tapping screw 6x25 (16 pieces)

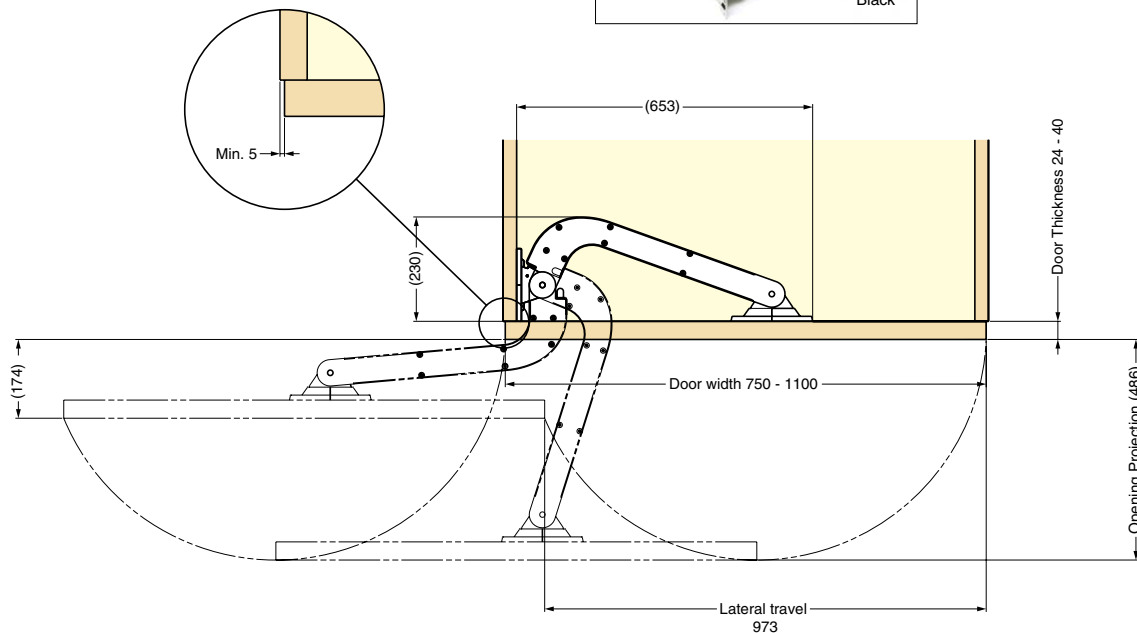
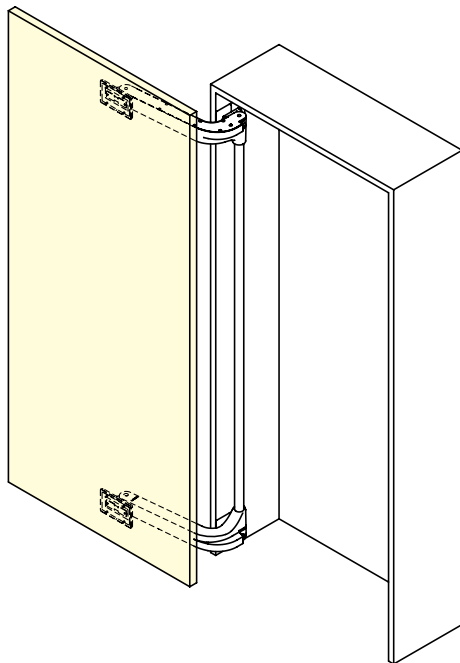
Applicable Door Load Capacity

Open/Close cycles	Door sagging	
	3 mm	5 mm
60,000	70 kg	90 kg
80,000	50 kg	80 kg
100,000	40 kg	70 kg

Colour variation



Video Link
[Features](#) [Use Example](#)

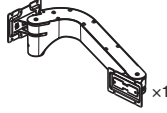
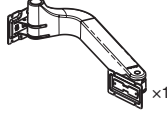
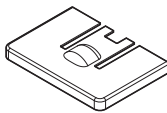
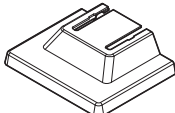
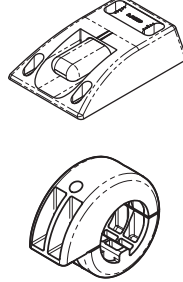


Parts Set (Per Door) **Necessary Parts**

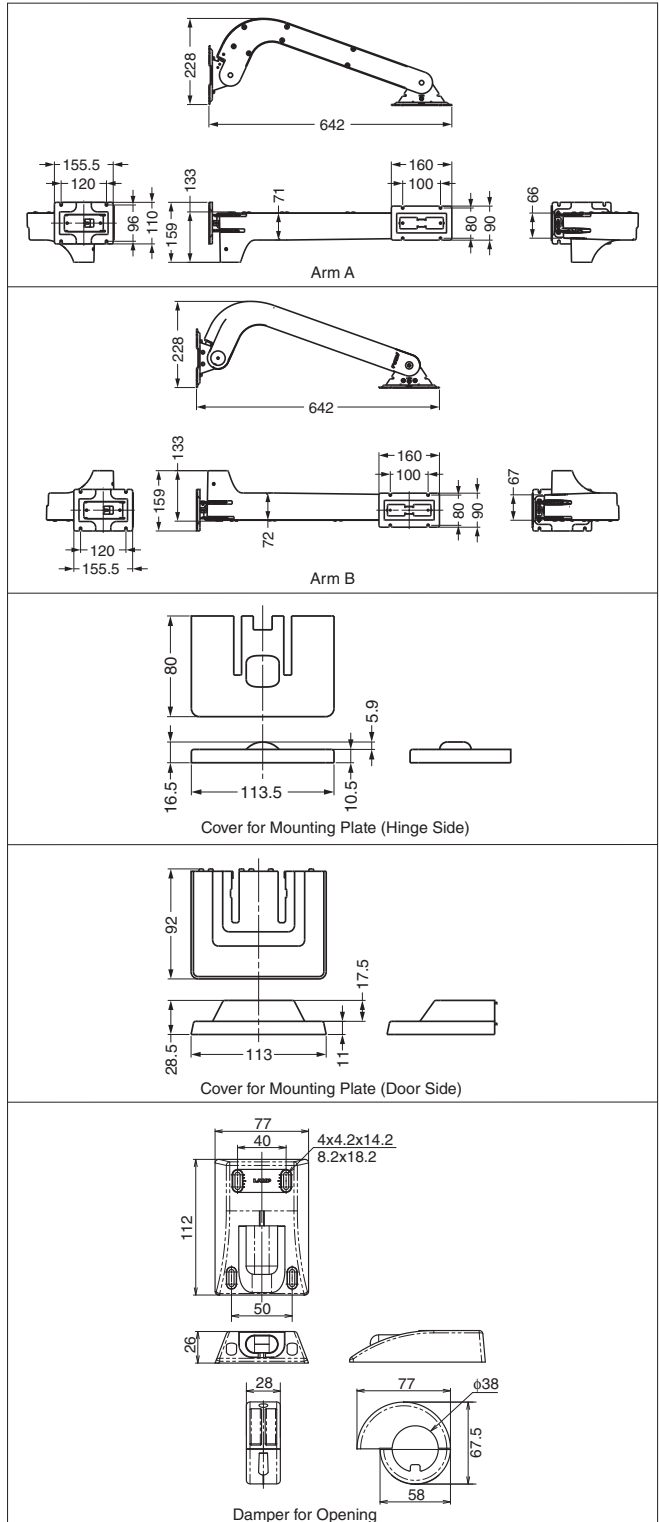
Item Code	Item Name
250-034-706	*LIN-X1000-WT
250-042-288	LIN-X1000-BL

Parts Included

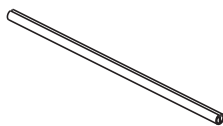
*The item name has been changed.

No.	Qty	Part Name	Description
1	1 pc	 Arm A	<ul style="list-style-type: none"> Material Aluminium Alloy Finish Powder Coating/ White/Black
2	1 pc	 Arm B	<ul style="list-style-type: none"> Material Aluminium Alloy Finish Powder Coating/ White/Black
3	4 pcs	 Cover for Mounting Plate (Hinge Side)	<ul style="list-style-type: none"> Material ABS Resin Finish White/Black
4	4 pcs	 Cover for Mounting Plate (Door Side)	<ul style="list-style-type: none"> Material ABS Resin Finish White/Black
5	1 pc	 Damper for Opening	<ul style="list-style-type: none"> Material PBT Resin Finish White/Black

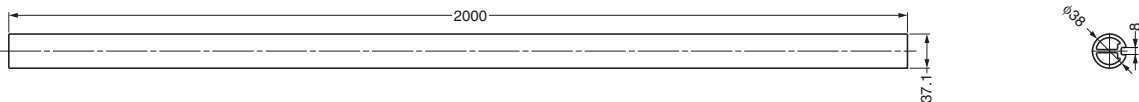
Parts Drawing



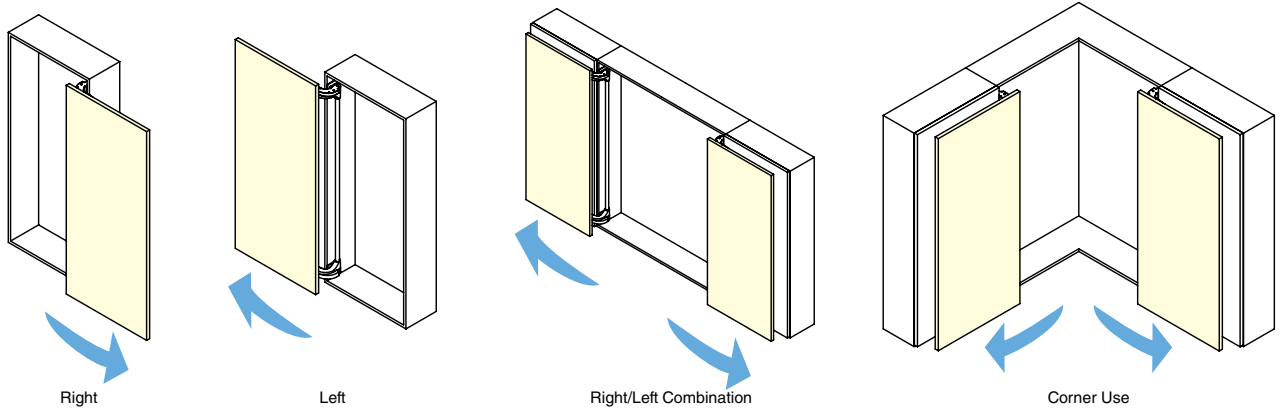
Connecting Bar **Necessary Parts**

No.	Qty	Part Name	Item Code	Item Name	Description
5	1 pc	 Connecting Bar	250-034-707	*LIN-X100-L2000-WT	<ul style="list-style-type: none"> Material Aluminium Extrusion Finish White Enamel
			250-042-289	LIN-X100-L2000-BL	<ul style="list-style-type: none"> Material Aluminium Extrusion Finish Black Anodized

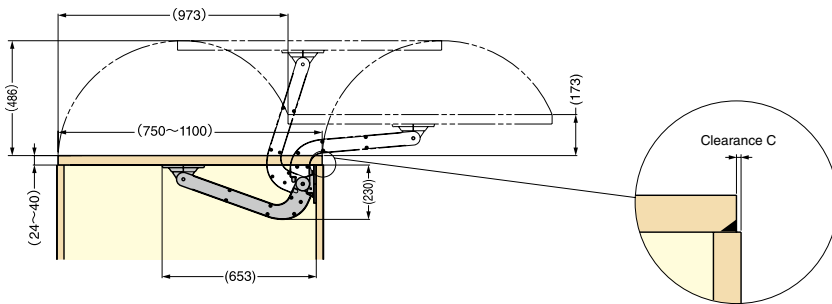
*The item name has been changed.



Various Applications

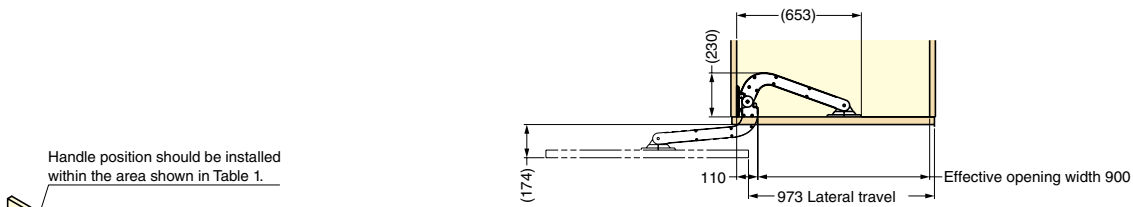


Door arc



*Please adjust Clearance C depending on the handle position.
For detail, refer to a manual.

Installation



Handle position should be installed within the area shown in Table 1.

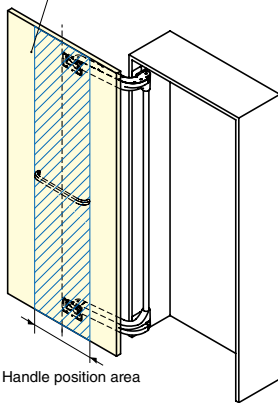
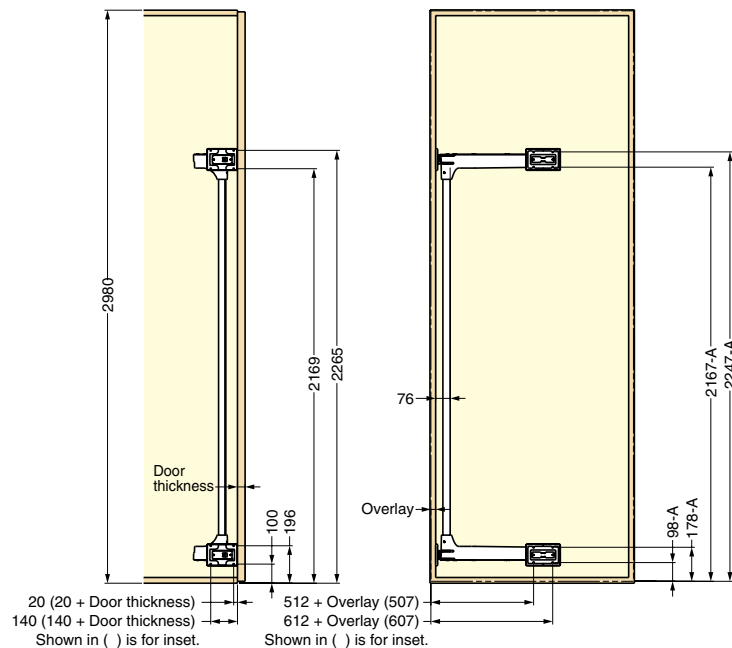


Table 1 : Handle position area [mm]

Door width	Clearance C		
	10	15	20
750-900	Max.300	Max.350	Max.500
900-1000	Max.200	Max.250	Max.400
1000-1100	Max.100	Max.150	Max.300

*Door thickness : 40mm
*Handle position area is centered on the door width.



The table below shows the adjustment factor A depending on the door weight. Ensure that you adjust according to your door weight.

Door weight	Adjustment factor A
20kg	2mm
30kg	3.5mm
40kg	5mm
50kg	6.5mm
60kg	8mm
70kg	9.5mm
80kg	11mm
90kg	12.5mm

*If you use a thick carpet, ensure that there is enough clearance for free movement of the door.
*A ± 7mm height adjustment is possible after installation. For detail, please refer to a manual.

A: Adjustment factor