

RECESSED HOOK **NF-60DF** Soft Close / Surface Mount on Sheet Metal

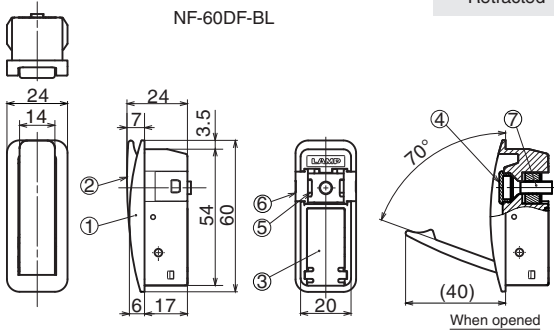
TEST METHOD 18



NF-60DF-BL



Retracted



Feature

- Easy installation and removal. Surface mount type on sheet metal.
- Arm automatically and slowly closes when hooked items are removed.
- Handhold at hook tip allows for easy opening.
- Little projection when hook is retracted.

Applications

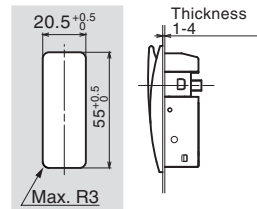
- Cabinet, vehicle, etc.

Remarks

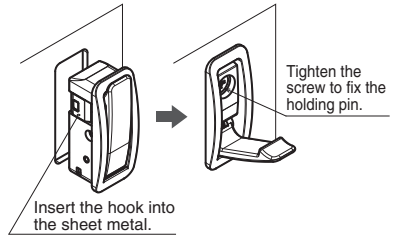
- Please take off the cushion rubber when tighten the screw and put it on again when finished.
- Please do not tighten the screw too much (recommended fastening torque: 3N·m).

Cut Out Dimensions

Sheet Metal



Installation



No.	Part Name	Material	Finish / Colour
①	Body	Aluminium Alloy	Black,
②	Arm	(ADC)	Metallic Silver
③	Cover	POM	Dark Grey
④	Cushion Rubber	CR	Black, Metallic Silver
⑤	Nut	ZDC	Chromate
⑥	Holding Pin		
⑦	Screw	Stainless Steel (SUS304)	Plain

Body

RoHS	CAD	Item Code	Item Name	Colour	Load Capacity N	Load Capacity kgf	Weight (g)	Box	Carton
-	3D	110-037-738	NF-60DF-BL	Black	294	30	54	10 pcs	200 pcs
-	3D	110-037-740	NF-60DF-MSL	Metallic Silver				10 pcs	200 pcs