



## 9308 EZ-RELEASE KIT

The 9308 EZ-Release Kit is a drawer-release system that lets users open locking drawers or compartments quickly and single-handedly. For use with pairs of 9307E, 9308E, 9327E, and 9328E, or in combination with 9301E or 9308-E5. This product is covered by U.S. and various foreign patents issued or pending.



**9308EZ-RELEASE Part Numbers**

Kit Part Number	Description	Qty Per Box	Lock	HRS Plug	Hardware Kit	Drawer Width	Bar Length	Bar Part Number
EZREL -16LOCKD	EZ KIT - 16", With Lock	1 Bar + 1 End Cap Set	Yes	–	Yes	16.00 [406.5]	13.00 [330.2]	EZREL-BAR16
EZREL -18LOCKD	EZ KIT - 18", With Lock	1 Bar + 1 End Cap Set	Yes	–	Yes	18.00 [457.2]	15.00 [381.0]	EZREL-BAR18
EZREL -24LOCKD	EZ KIT - 24", With Lock	1 Bar + 1 End Cap Set	Yes	–	Yes	24.00 [609.6]	21.00 [533.4]	EZREL-BAR24
EZREL -30LOCKD	EZ KIT - 30", With Lock	1 Bar + 1 End Cap Set	Yes	–	Yes	30.00 [762.0]	27.00 [685.8]	EZREL-BAR30
EZREL -36LOCKD	EZ KIT - 36", With Lock	1 Bar + 1 End Cap Set	Yes	–	Yes	36.00 [914.4]	33.00 [838.2]	EZREL-BAR36
EZREL -48LOCKD	EZ KIT - 48", With Lock	1 Bar + 1 End Cap Set	Yes	–	Yes	48.00 [1219.2]	45.00 [1143.0]	EZREL-BAR48
EZREL -60LOCKD	EZ KIT - 60", With Lock	1 Bar + 1 End Cap Set	Yes	–	Yes	60.00 [1524.0]	57.00 [1447.8]	EZREL-BAR60
EZREL -16D	EZ KIT - 16"	1 Bar + 1 End Cap Set	–	Yes	Yes	16.00 [406.5]	13.00 [330.2]	EZREL-BAR16
EZREL -18D	EZ KIT - 18"	1 Bar + 1 End Cap Set	–	Yes	Yes	18.00 [457.2]	15.00 [381.0]	EZREL-BAR18
EZREL -24D	EZ KIT - 24"	1 Bar + 1 End Cap Set	–	Yes	Yes	24.00 [609.6]	21.00 [533.4]	EZREL-BAR24
EZREL -30D	EZ KIT - 30"	1 Bar + 1 End Cap Set	–	Yes	Yes	30.00 [762.0]	27.00 [685.8]	EZREL-BAR30
EZREL -36D	EZ KIT - 36"	1 Bar + 1 End Cap Set	–	Yes	Yes	36.00 [914.4]	33.00 [838.2]	EZREL-BAR36
EZREL -48D	EZ KIT - 48"	1 Bar + 1 End Cap Set	–	Yes	Yes	48.00 [1219.2]	45.00 [1143.0]	EZREL-BAR48
EZREL -60D	EZ KIT - 60"	1 Bar + 1 End Cap Set	–	Yes	Yes	60.00 [1524.0]	57.00 [1447.8]	EZREL-BAR60
EZREL -CAPRD	End Cap Set - With Lock	1 Set	Yes	–	Yes	–	–	–
EZREL -CAPND	End Cap Set - No Lock	1 Set	–	Yes	Yes	–	–	–
EZREL -CAPRB	End Cap Set - With Lock	16 Sets	Yes	–	–	–	–	–
EZREL -CAPNB	End Cap Set - No Lock	16 Sets	–	Yes	–	–	–	–
EZREL -BAR16	Handle Bar - 16"	16 Each	–	–	–	16.00 [406.5]	13.00 [330.2]	–
EZREL -BAR18	Handle Bar - 18"	16 Each	–	–	–	18.00 [457.2]	15.00 [381.0]	–
EZREL -BAR24	Handle Bar - 24"	16 Each	–	–	–	24.00 [609.6]	21.00 [533.4]	–
EZREL -BAR30	Handle Bar - 30"	8 Each	–	–	–	30.00 [762.0]	27.00 [685.8]	–
EZREL -BAR36	Handle Bar - 36"	8 Each	–	–	–	36.00 [914.4]	33.00 [838.2]	–
EZREL -BAR48	Handle Bar - 48"	4 Each	–	–	–	48.00 [1219.2]	45.00 [1143.0]	–
EZREL -BAR60	Handle Bar - 60"	4 Each	–	–	–	60.00 [1524.0]	57.00 [1447.8]	–
EZREL -BAR120	Handle Bar - Full Length	4 Each	–	–	–	–	120.00 [3048.0]	–

- Finishes** Anodized aluminum and polymer
- End Cap Height** 3.0" [76.2 mm]
- End Cap Width** 1.5" [38.10 mm]
- Bar lengths to accommodate drawer widths up to:** 16", 18", 24", 30", 36", 48", and 60" [406 – 1525 mm]
- Hardware** (6X) #10-32 x 1/2" pan head screws and (6X) lock washers (included\*).
- Optional** Right hand key-lock.

\* **NOTE:** Provided hardware accommodates up to 1/4" drawer thickness.

**EZ-Release Installation Instructions**

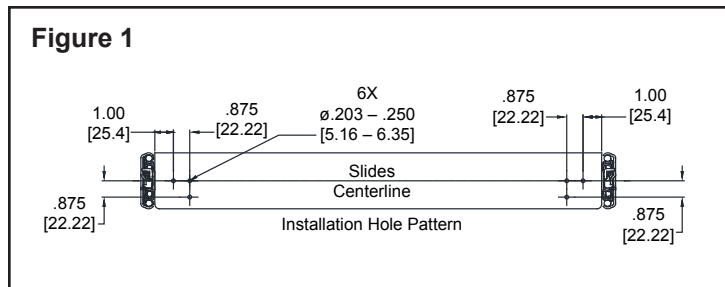
Once the Accuride slides and drawer are installed (slides not included), follow the instructions below to install the EZ-Release Kit.

Before you get started, review the part list shown in below.

Parts List		
No	Part Description	Qty
1	Drawer, not included	1
2	9308/9301 Accuride Slide Series, not included	1
3	9308 Accuride Slide Series, not included	1
4	#10-32 Machine screw	6
5	#10-32 External-tooth lock washer	6
6	Aluminum bar	1
7	RH End Cap	1
8	LH End Cap	1

**Drawer Installation**

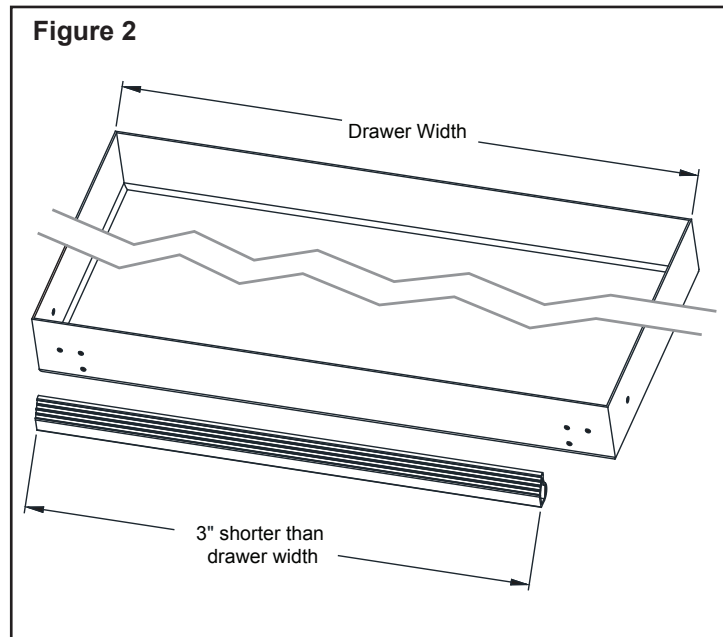
First, drill 0.20 diameter (Ø 13/64") mounting holes on the drawer front, as shown on Figure 1.



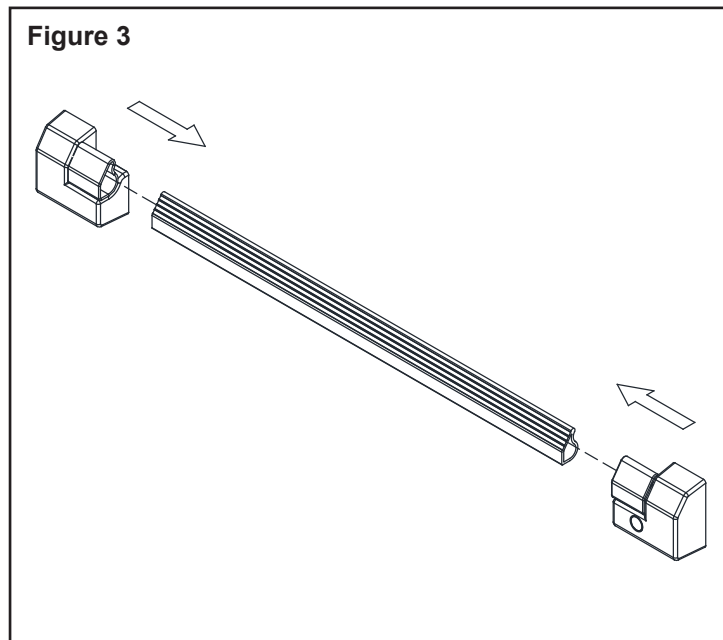
**Bar Length**

Cut the bar to length. The cut length is 3" shorter than the outside drawer width.

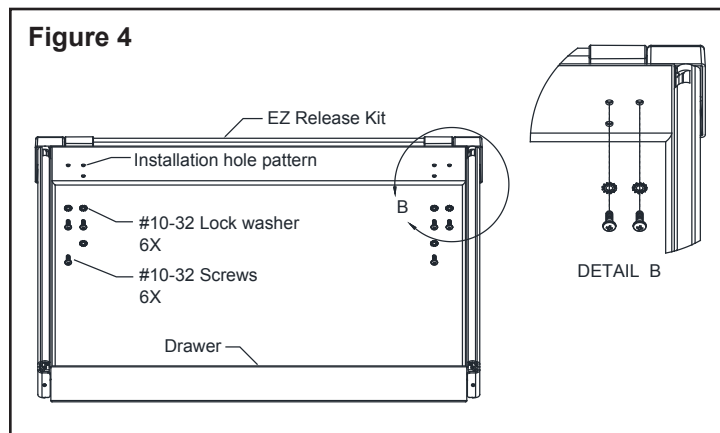
See Figure 2. For example: For a 16" drawer you will order EZREL-16 Kit (non-locking part number), no cut required. However, if you have a 12" drawer, you would order EZREL-16 Kit but then cut the bar 3" less than the measured drawer width. Same process applies to other non-standard drawer widths.



Fully insert the RH & LH end-caps to the ends of the bar after cutting it, remove any burrs from the cut end. See Figure 3.

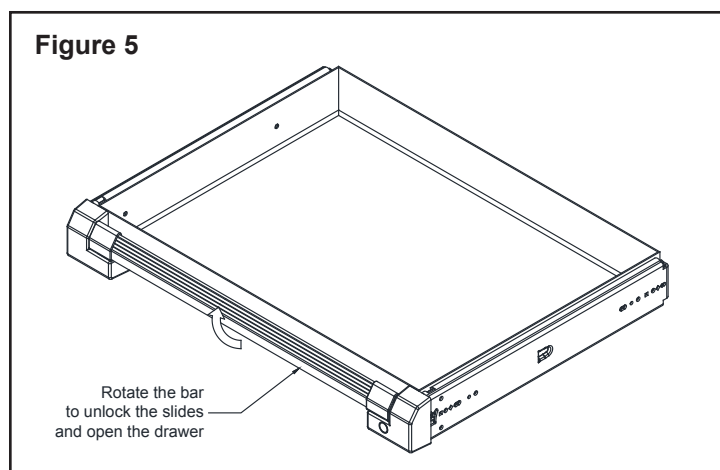


Attach the whole system to the front face drawer using #10-32 pan head screws. See Figure 4.

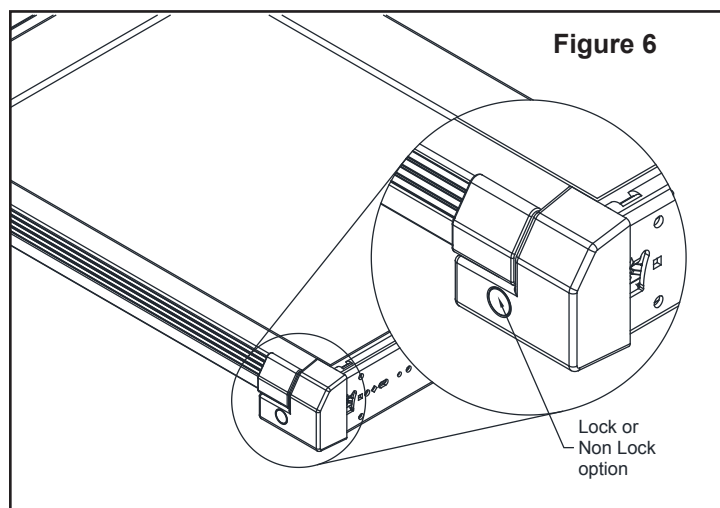


**⚠** The hardware provided is for up to 1/4" drawer thickness, longer mounting screws (not included) are required for thicker drawers. Screws should not be more than 3/8" longer than the drawer thickness. All screws should be installed before tightening.

Rotate the bar inward to release. See Figure 5.



Option available for locking or non-lock on right hand (RH) end cap. See Figure 6.



## Ordering Instructions

To order the 9308EZ-Release Kit Specify the following:

**D pack:** The kit includes aluminum bar, two end caps, six mounting screws and six lock washers with a technical sheet.

Without Lock	With Lock	Drawer width
EZREL-16D	EZREL-16LOCKD	16" Max
EZREL-18D	EZREL-18LOCKD	18" Max
EZREL-24D	EZREL-24LOCKD	24" Max
EZREL-30D	EZREL-30LOCKD	30" Max
EZREL-36D	EZREL-36LOCKD	36" Max
EZREL-48D	EZREL-48LOCKD	48" Max
EZREL-60D	EZREL-60LOCKD	60" Max

**P pack:** Each component is order separately. Hardware is not included with end caps.

Bar Part Number	Drawer width
EZREL-BAR16	16" Max
EZREL-BAR18	18" Max
EZREL-BAR24	24" Max
EZREL-BAR30	30" Max
EZREL-BAR36	36" Max
EZREL-BAR48	48" Max
EZREL-BAR60	60" Max
EZREL-BAR120 (Full length)	120" (not associated to drawer width)

End Caps	Description
EZREL-CAPRB	Set with right cap lock
EZREL-CAPNB	Set with no lock

## Specifications

Bar: Aluminum

Mounting brackets: Aluminum

End Caps: Polymer

RoHs compliant

**NOTE:** Specifications, materials, prices, terms and delivery are subject to change without notice.

# Accuride®

Accuride International Inc.

12311 Shoemaker Avenue  
Santa Fe Springs, CA 90670  
TEL (562) 903-0200  
FAX (562) 903-0208

Manufacturing, Engineering, and Sales  
United States • Germany • Japan •  
Mexico • United Kingdom • China

For the most current technical information visit [www accuride.com](http://www accuride.com)

**⚠ WARNING:** This product can expose you to chemicals including nickel, which is known to the State of California to cause cancer and birth defects or other reproductive harm. For more information go to [www.P65Warnings.ca.gov](http://www.P65Warnings.ca.gov).