

SOFT-CLOSE HINGE HG-JV65-U-LGR Concealed Type / For Vertical Use

INSTRUCTION

Passed 50,000 open/close private cycle test



- Will be hidden from view when closed.
(The hinge is installed inside of enclosures.)
- Automatically and slowly closes doors from 35°.
(Self and soft closing)
- Closing speed of doors is adjustable with a hex key.

[Specification]

- Temperature: 0 - 40 °C

[Remarks]

- Set door stopper to prevent doors from opening over 95°.

[Parts Included]

- Body cover

[Recommended Screw]

- M5 binding head screw
- M5 pan head screw
- M5 button bolt
- M5 truss head screw

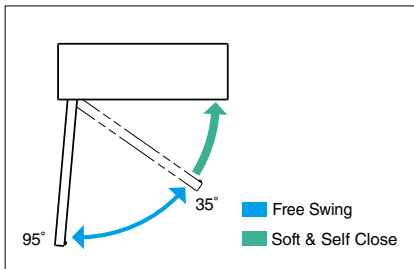
[Installation Inside Cabinet]



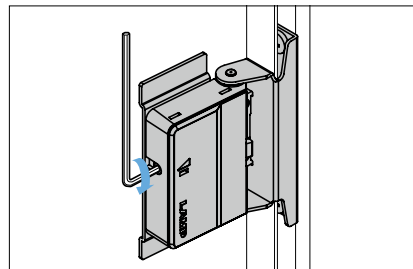
Video Link



[Operating Range]

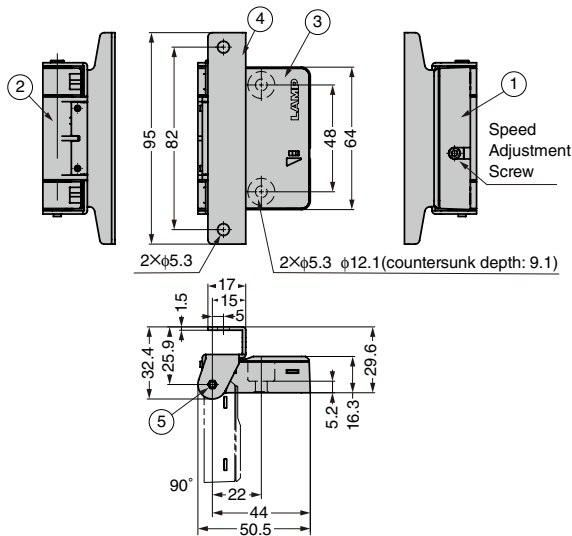
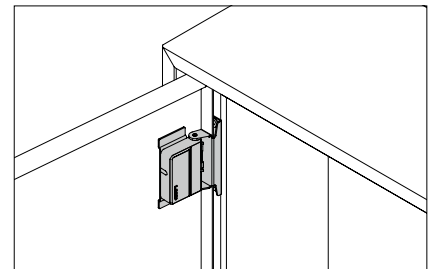


[Closing Speed Adjustment]

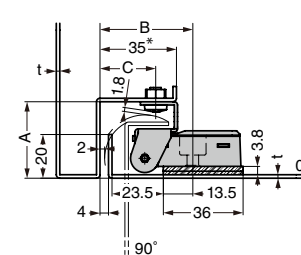


Closing speed is adjustable with a hex key. (size: 2.5)

[Installation]



[Installation and Dimensions]



* The nut and bending section might be close depending on the thickness of the sheet metal.

Thickness	A	B	C
t = 1.6	35	42.5	25.5
t ≤ 3.2	35+(t-1.6)	42.5+(t-1.6)	25.5+(t-1.6)

No.	Part Name	Material	Finish/Colour
①	Body A	Polyamide	Light Grey
②	Body B		
③	Body Cover	Polyacetal	
④	Press Arm	Stainless Steel (SUS304)	Plain
⑤	Shaft	Steel (SUM)	Nickel

RoHS	CAD	Item Code	Item Name	Colour	Door Specs				Weight (g)
					Width	Height	Weight (kg / 2pcs)	Weight (kg / 3pcs)	
●	●	170-049-813	HG-JV65-U-LGR	Light Grey	Max. 700	Max. 2400	1.0 - 7.0	7.0 - 12.0	135