

CM Mini Cam Locks

Fixed core

- Compact design
- Non-shuttered lock core
- Cams sold separately

Material and Finish

Lock: Zinc alloy, chrome plated or black powder coated

Cam: Steel, zinc plated

Performance Details

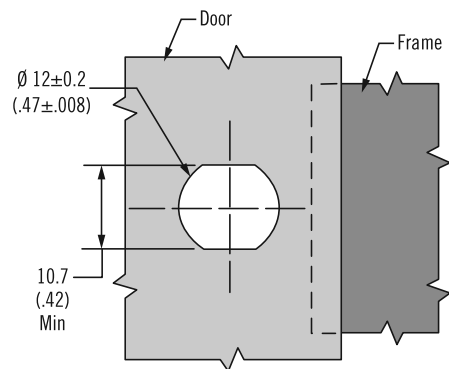
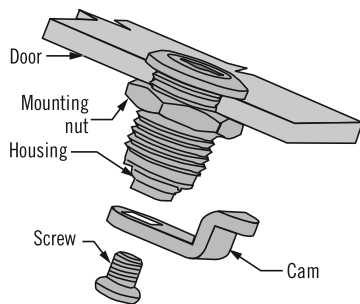
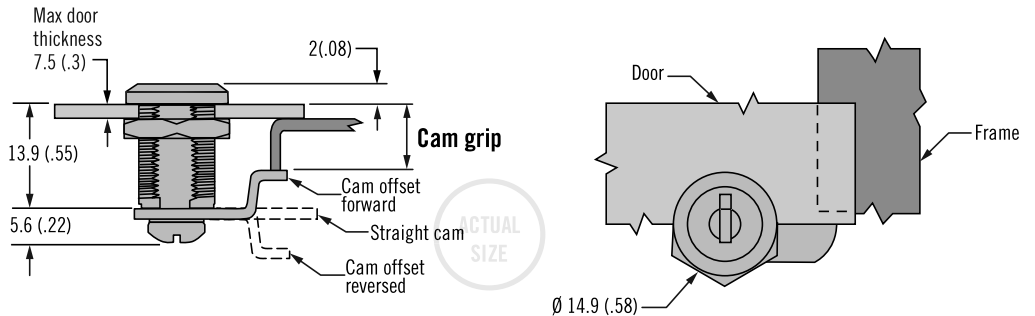
Average ultimate load on cam:
160 N (35 lbf)

Installation Notes

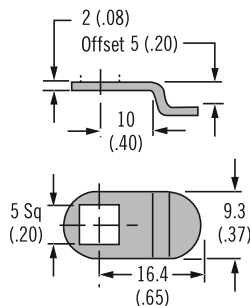
1. Install mounting nut and tighten to 4 N•m (35 in•lbf).
2. Install cam to assembly. Properly orientate for rotation and grip.
3. Install screw. Tighten to 4 N•m (35 in•lbf).

Accessories

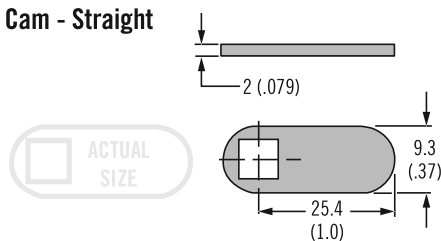
See page 169



Cam - Offset



Cam - Straight



Cam Grip		
Cam Grip	Cam Type	Cam Part Number
9.7 (.38)	Offset forward	CM-M101
15.4 (.61)	Straight	CM-M002
21.3 (.84)	Offset reverse	CM-M101

Part Number Selection

Lock part number (no cam)

Order lock and cam separately

To select cam part number see grip table above

F Housing Finish **S** Style

B Black powder coated **12N** Wing

C Chrome plated **21B** Key-locking

KC Key Code Omit for wing style

KA Keyed alike M01 (2 keys supplied)

KD Keyed differently (10 key codes provided in a non-master key system) M01 to M10 (2 keys supplied)

CM - 9 - 1 F 109 - S - KC

Dimensions in millimeters (inch) unless otherwise stated

Other options available. For complete details on variety, part numbers, installation and specification, go to

INFO CLIC www.southco.com/CM