



CM Cam Locks

Fixed core wing driver

- Sealed to meet NEMA 4 and IP65 water intrusion standards
- Smooth, consistent operation
- Cams sold separately

Material and Finish

Housing: Zinc alloy, chrome plated or black powder coated

Performance Details

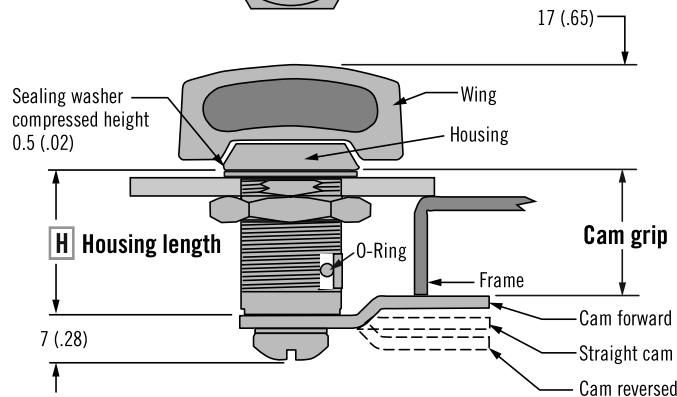
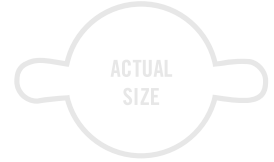
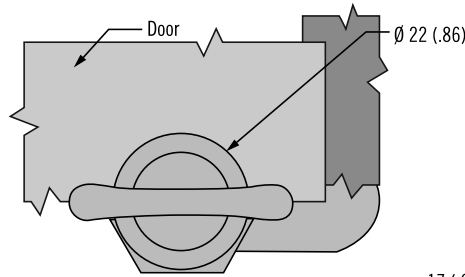
Average ultimate load on cam:
180 N (40 lbf)

Installation Notes

See page 167

Accessories

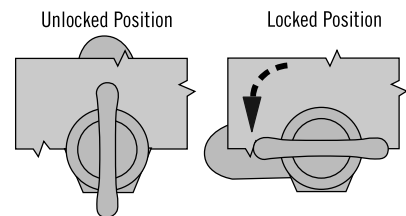
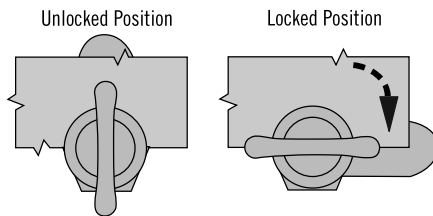
See page 169



Cam Rotation

R 01 (Clockwise to Lock)

R 09 (Counter-Clockwise to Lock)



Part Number Selection

See table

Lock part number (no cam)

Order lock and cam separately

Cam page 167

To select cam part number see grip table page 163

F Housing Finish
B Black powder coated
C Chrome plated

R Rotation
01 Clockwise
09 Counter-clockwise

W Wing Finish
B Black powder coated
C Chrome plated

CM - 1 - H F 1 R - 1 W

H Housing Length Number	Housing Length	Max. Door Thickness
1	16 (.625)	7.1 (.28)
2	22 (.875)	13.5 (.53)
3	35 (1.375)	26.2 (1.03)

Other options available. For complete details on variety, part numbers, installation and specification, go to

INFO CLIC www.southco.com/CM

Dimensions in millimeters (inch) unless otherwise stated