

Eccentric Quick Clamps · with screw

EH 23390.



Product Description

For quick and easy clamping and releasing of workpieces.
When using the "adjustable" design (picture 2) the lever position can be moved.

Material

Support washer

- Thermoplastic PA, glass-fiber reinforced
- Thermoplastic POM, glass-fiber reinforced

Lever

- Zinc die-cast, plastic coated, black

Inner parts

- Steel, zinc-plated by galvanization
- Stainless steel 1.4305

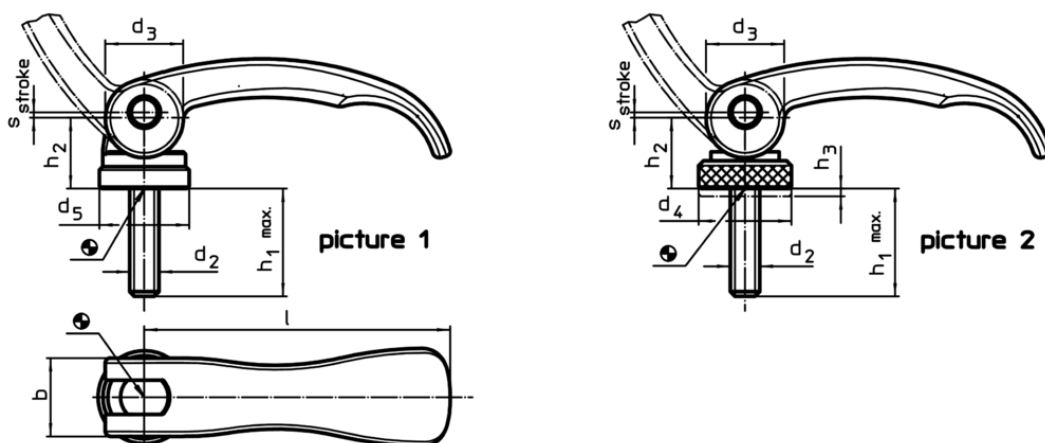
Screw

- Steel, zinc-plated by galvanization
- Stainless steel 1.4305

Adjusting nut

- Steel, zinc-plated by galvanization
- Stainless steel 1.4305

Drawing



Order information

l	d ₂	h ₁ max. in clamping position	Dimensions			h ₂ max.	Regulating- range h ₃ min.	b	Stroke s at 90° lever position [mm]	🌡️ max. [°C]	📦 [g]	RoHS	REACH	Art. No.
			d ₃	d ₄	d ₅									
with screw – picture 1, steel														
63	M5	16	16	–	18.5	16.4	–	16	0.75	80	62	RoHS-compliant	contains no SVHC materials	23390.0030
63	M5	20	16	–	18.5	16.4	–	16	0.75	80	63	RoHS-compliant	contains no SVHC materials	23390.0031
63	M5	25	16	–	18.5	16.4	–	16	0.75	80	63	RoHS-compliant	contains no SVHC materials	23390.0032
63	M5	30	16	–	18.5	16.4	–	16	0.75	80	65	RoHS-compliant	contains no SVHC materials	23390.0033
63	M5	35	16	–	18.5	16.4	–	16	0.75	80	65	RoHS-compliant	contains no SVHC materials	23390.0034
63	M5	40	16	–	18.5	16.4	–	16	0.75	80	65	RoHS-compliant	contains no SVHC materials	23390.0035

l	d ₂	h ₁ max. in clamping position	Dimensions					Regulating- range h ₃ min.	b	Stroke s at 90° lever position [mm]	max. [°C]	max. [g]	RoHS	REACH	Art. No.
			d ₃	d ₄	d ₅	h ₂ max.	[mm]								
63	M5	50	16	-	18.5	16.4	-	16	0.75	80	67	RoHS-compliant	contains no SVHC materials	23390.0036	
63	M6	16	16	-	18.5	16.4	-	16	0.75	80	63	RoHS-compliant	contains SVHC materials >0.1% w/w	23390.0009	
63	M6	20	16	-	18.5	16.4	-	16	0.75	80	65	RoHS-compliant	contains SVHC materials >0.1% w/w	23390.0010	
63	M6	25	16	-	18.5	16.4	-	16	0.75	80	65	RoHS-compliant	contains no SVHC materials	23390.0011	
63	M6	30	16	-	18.5	16.4	-	16	0.75	80	65	RoHS-compliant	contains no SVHC materials	23390.0012	
63	M6	35	16	-	18.5	16.4	-	16	0.75	80	66	RoHS-compliant	contains no SVHC materials	23390.0013	
63	M6	40	16	-	18.5	16.4	-	16	0.75	80	68	RoHS-compliant	contains SVHC materials >0.1% w/w	23390.0014	
63	M6	50	16	-	18.5	16.4	-	16	0.75	80	69	RoHS-compliant	contains SVHC materials >0.1% w/w	23390.0016	
82	M8	20	20	-	22.5	19.5	-	20	1.00	80	128	RoHS-compliant	contains no SVHC materials	23390.0019	
82	M8	25	20	-	22.5	19.5	-	20	1.00	80	129	RoHS-compliant	contains SVHC materials >0.1% w/w	23390.0020	
82	M8	30	20	-	22.5	19.5	-	20	1.00	80	132	RoHS-compliant	contains SVHC materials >0.1% w/w	23390.0021	
82	M8	35	20	-	22.5	19.5	-	20	1.00	80	134	RoHS-compliant	contains SVHC materials >0.1% w/w	23390.0022	
82	M8	40	20	-	22.5	19.5	-	20	1.00	80	136	RoHS-compliant	contains SVHC materials >0.1% w/w	23390.0023	
82	M8	50	20	-	22.5	19.5	-	20	1.00	80	138	RoHS-compliant	contains no SVHC materials	23390.0025	
82	M8	60	20	-	22.5	19.5	-	20	1.00	80	142	RoHS-compliant	contains SVHC materials >0.1% w/w	23390.0027	
with screw, adjustable – picture 2, steel															
63	M5	16	16	19	-	16.4	1.5	16	0.75	80	68	RoHS-compliant	contains SVHC materials >0.1% w/w	23390.0130	
63	M5	20	16	19	-	16.4	1.5	16	0.75	80	69	RoHS-compliant	contains SVHC materials >0.1% w/w	23390.0131	
63	M5	25	16	19	-	16.4	1.5	16	0.75	80	69	RoHS-compliant	contains SVHC materials >0.1% w/w	23390.0132	
63	M5	30	16	19	-	16.4	1.5	16	0.75	80	71	RoHS-compliant	contains SVHC materials >0.1% w/w	23390.0133	
63	M5	35	16	19	-	16.4	1.5	16	0.75	80	71	RoHS-compliant	contains SVHC materials >0.1% w/w	23390.0134	
63	M5	40	16	19	-	16.4	1.5	16	0.75	80	72	RoHS-compliant	contains SVHC materials >0.1% w/w	23390.0135	
63	M5	50	16	19	-	16.4	1.5	16	0.75	80	73	RoHS-compliant	contains SVHC materials >0.1% w/w	23390.0136	
63	M6	16	16	19	-	16.4	1.5	16	0.75	80	69	RoHS-compliant	contains SVHC materials >0.1% w/w	23390.0109	

l	d ₂	h ₁ max. in clamping position	Dimensions						Regulating- range h ₃ min.	b	Stroke s at 90° lever position [mm]	max. [°C]	[g]	RoHS	REACH	Art. No.
			d ₃	d ₄	d ₅	h ₂ max.	[mm]									
63	M6	20	16	19	–	16.4	1.5	16	0.75	80	70	RoHS-compliant	contains SVHC materials >0.1% w/w	23390.0110		
63	M6	25	16	19	–	16.4	1.5	16	0.75	80	72	RoHS-compliant	contains SVHC materials >0.1% w/w	23390.0111		
63	M6	30	16	19	–	16.4	1.5	16	0.75	80	72	RoHS-compliant	contains SVHC materials >0.1% w/w	23390.0112		
63	M6	35	16	19	–	16.4	1.5	16	0.75	80	70	RoHS-compliant	contains SVHC materials >0.1% w/w	23390.0113		
63	M6	40	16	19	–	16.4	1.5	16	0.75	80	74	RoHS-compliant	contains SVHC materials >0.1% w/w	23390.0114		
63	M6	50	16	19	–	16.4	1.5	16	0.75	80	75	RoHS-compliant	contains SVHC materials >0.1% w/w	23390.0116		
82	M8	20	20	25	–	19.5	2.5	20	1.00	80	142	RoHS-compliant	contains SVHC materials >0.1% w/w	23390.0119		
82	M8	25	20	25	–	19.5	2.5	20	1.00	80	145	RoHS-compliant	contains SVHC materials >0.1% w/w	23390.0120		
82	M8	30	20	25	–	19.5	2.5	20	1.00	80	146	RoHS-compliant	contains SVHC materials >0.1% w/w	23390.0121		
82	M8	35	20	25	–	19.5	2.5	20	1.00	80	140	RoHS-compliant	contains SVHC materials >0.1% w/w	23390.0122		
82	M8	40	20	25	–	19.5	2.5	20	1.00	80	149	RoHS-compliant	contains SVHC materials >0.1% w/w	23390.0123		
82	M8	50	20	25	–	19.5	2.5	20	1.00	80	152	RoHS-compliant	contains SVHC materials >0.1% w/w	23390.0125		
82	M8	60	20	25	–	19.5	2.5	20	1.00	80	155	RoHS-compliant	contains SVHC materials >0.1% w/w	23390.0127		
with screw – picture 1, stainless steel																
63	M5	16	16	–	18.5	16.4	–	16	0.75	80	63	RoHS-compliant	contains no SVHC materials	23390.0230		
63	M5	20	16	–	18.5	16.4	–	16	0.75	80	63	RoHS-compliant	contains no SVHC materials	23390.0231		
63	M5	25	16	–	18.5	16.4	–	16	0.75	80	64	RoHS-compliant	contains no SVHC materials	23390.0232		
63	M5	30	16	–	18.5	16.4	–	16	0.75	80	64	RoHS-compliant	contains no SVHC materials	23390.0233		
63	M5	35	16	–	18.5	16.4	–	16	0.75	80	65	RoHS-compliant	contains no SVHC materials	23390.0234		
63	M5	40	16	–	18.5	16.4	–	16	0.75	80	66	RoHS-compliant	contains no SVHC materials	23390.0235		
63	M5	50	16	–	18.5	16.4	–	16	0.75	80	67	RoHS-compliant	contains no SVHC materials	23390.0236		
63	M6	16	16	–	18.5	16.4	–	16	0.75	80	63	RoHS-compliant	contains no SVHC materials	23390.0209		
63	M6	20	16	–	18.5	16.4	–	16	0.75	80	64	RoHS-compliant	contains no SVHC materials	23390.0210		
63	M6	25	16	–	18.5	16.4	–	16	0.75	80	65	RoHS-compliant	contains no SVHC materials	23390.0211		
63	M6	30	16	–	18.5	16.4	–	16	0.75	80	66	RoHS-compliant	contains no SVHC materials	23390.0212		
63	M6	35	16	–	18.5	16.4	–	16	0.75	80	67	RoHS-compliant	contains no SVHC materials	23390.0213		

l	d ₂	h ₁ max. in clamping position	Dimensions					Regulating- range h ₃ min.	b	Stroke s at 90° lever position [mm]	max. [°C]	[g]	RoHS	REACH	Art. No.
			d ₃	d ₄	d ₅	h ₂ max.	[mm]								
63	M6	40	16	–	18.5	16.4	–	16	0.75	80	68	RoHS-compliant	contains no SVHC materials	23390.0214	
63	M6	50	16	–	18.5	16.4	–	16	0.75	80	69	RoHS-compliant	contains no SVHC materials	23390.0216	
82	M8	20	20	–	22.5	19.5	–	20	1.00	80	129	RoHS-compliant	contains no SVHC materials	23390.0219	
82	M8	25	20	–	22.5	19.5	–	20	1.00	80	130	RoHS-compliant	contains no SVHC materials	23390.0220	
82	M8	30	20	–	22.5	19.5	–	20	1.00	80	132	RoHS-compliant	contains no SVHC materials	23390.0221	
82	M8	35	20	–	22.5	19.5	–	20	1.00	80	133	RoHS-compliant	contains no SVHC materials	23390.0222	
82	M8	40	20	–	22.5	19.5	–	20	1.00	80	135	RoHS-compliant	contains no SVHC materials	23390.0223	
82	M8	50	20	–	22.5	19.5	–	20	1.00	80	138	RoHS-compliant	contains no SVHC materials	23390.0225	
82	M8	60	20	–	22.5	19.5	–	20	1.00	80	141	RoHS-compliant	contains no SVHC materials	23390.0227	
with screw, adjustable – picture 2, stainless steel															
63	M5	16	16	19	–	16.4	1.5	16	0.75	80	69	RoHS-compliant	contains no SVHC materials	23390.0330	
63	M5	20	16	19	–	16.4	1.5	16	0.75	80	69	RoHS-compliant	contains no SVHC materials	23390.0331	
63	M5	25	16	19	–	16.4	1.5	16	0.75	80	70	RoHS-compliant	contains no SVHC materials	23390.0332	
63	M5	30	16	19	–	16.4	1.5	16	0.75	80	70	RoHS-compliant	contains no SVHC materials	23390.0333	
63	M5	35	16	19	–	16.4	1.5	16	0.75	80	71	RoHS-compliant	contains no SVHC materials	23390.0334	
63	M5	40	16	19	–	16.4	1.5	16	0.75	80	72	RoHS-compliant	contains no SVHC materials	23390.0335	
63	M5	50	16	19	–	16.4	1.5	16	0.75	80	73	RoHS-compliant	contains no SVHC materials	23390.0336	
63	M6	16	16	19	–	16.4	1.5	16	0.75	80	69	RoHS-compliant	contains no SVHC materials	23390.0309	
63	M6	20	16	19	–	16.4	1.5	16	0.75	80	69	RoHS-compliant	contains no SVHC materials	23390.0310	
63	M6	25	16	19	–	16.4	1.5	16	0.75	80	71	RoHS-compliant	contains no SVHC materials	23390.0311	
63	M6	30	16	19	–	16.4	1.5	16	0.75	80	72	RoHS-compliant	contains no SVHC materials	23390.0312	
63	M6	35	16	19	–	16.4	1.5	16	0.75	80	73	RoHS-compliant	contains no SVHC materials	23390.0313	
63	M6	40	16	19	–	16.4	1.5	16	0.75	80	74	RoHS-compliant	contains no SVHC materials	23390.0314	
63	M6	50	16	19	–	16.4	1.5	16	0.75	80	76	RoHS-compliant	contains no SVHC materials	23390.0316	
82	M8	20	20	25	–	19.5	2.5	20	1.00	80	142	RoHS-compliant	contains no SVHC materials	23390.0319	
82	M8	25	20	25	–	19.5	2.5	20	1.00	80	144	RoHS-compliant	contains no SVHC materials	23390.0320	
82	M8	30	20	25	–	19.5	2.5	20	1.00	80	146	RoHS-compliant	contains no SVHC materials	23390.0321	
82	M8	35	20	25	–	19.5	2.5	20	1.00	80	147	RoHS-compliant	contains no SVHC materials	23390.0322	
82	M8	40	20	25	–	19.5	2.5	20	1.00	80	149	RoHS-compliant	contains no SVHC materials	23390.0323	
82	M8	50	20	25	–	19.5	2.5	20	1.00	80	152	RoHS-compliant	contains no SVHC materials	23390.0325	
82	M8	60	20	25	–	19.5	2.5	20	1.00	80	155	RoHS-compliant	contains no SVHC materials	23390.0327	

Application example

