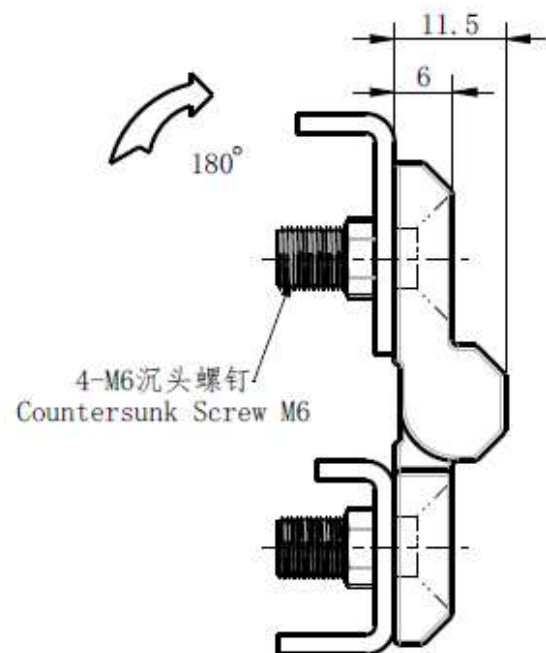
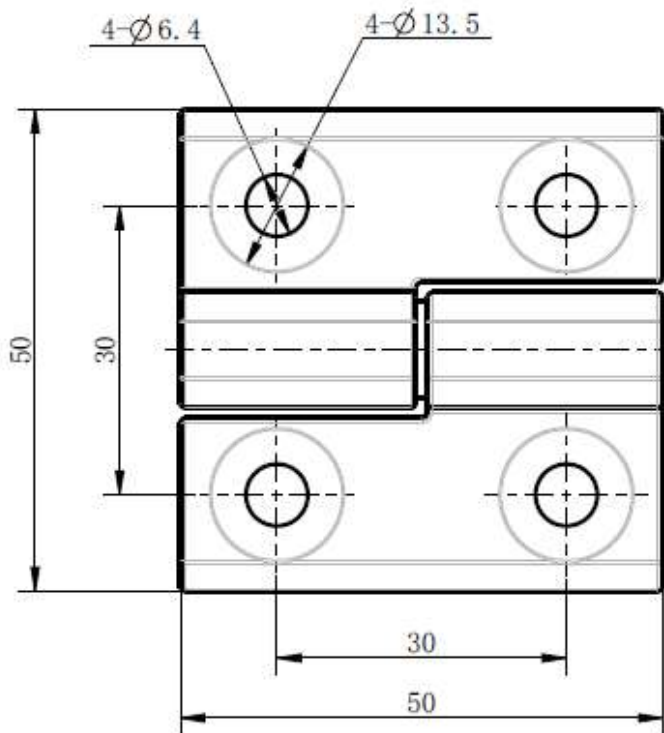


Diecast Lift Off Hinge 2101-500-20

- Zinc diecast, black powder coated
- 180 degree opening angle
- Countersunk M6 screw
- 2101-500L-20 (Left) & 2101-500R-20 (Right)



All measurements are in mm